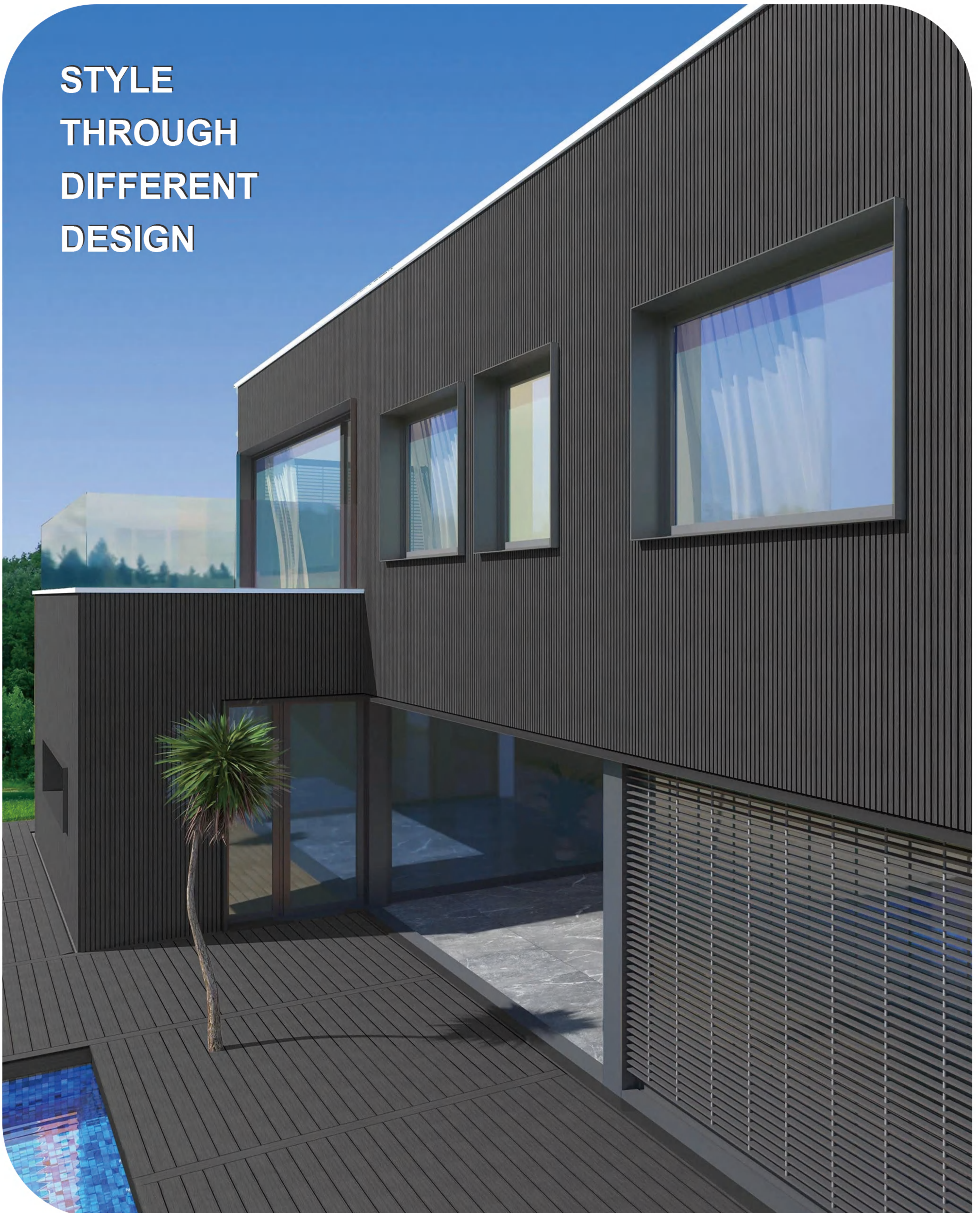


**STYLE
THROUGH
DIFFERENT
DESIGN**



Catalogue:

Composite Decking / Composite Cladding / Timber Tube / Fences
Accessories / Installation



A KIND OF ENVIRONMENTALLY FRIENDLY WOOD

Aesthedge products are not only reserve the excellent texture and beautiful lines of natural wood. But also overcome the shortage of being liable to distortion, crack, mildew and various insects.

www.aesthedgeoutdoor.com

AESTHEDGE FEATURE

Easy to install (Clipping System)

Innovative and elegant style

Energy saving

Durability

Aesthedge belongs to Compass Decor, has steadily grown to become a leading manufacturer and provider of WPC decking, WPC cladding, WPC fence and other outdoor materials to worldwide market, such as Europe, Central and South America, Southeast Asia, Middle East, Oceania, and Africa etc., winning good praise from the clients.

Our aim is to develop and market sustainable alternatives to rainforest timbers currently used within the building industry. Our WPC decking, cladding, fencing and other outdoor products provide improved performance in specific building applications and help to reduce our dependence on precious timber species.

No need for painting

Can be painted

Termite resistance

Recyclable

OUTDOOR FLOORING
FENCING
GARDEN FURNITURE
EXTERIOR WALL CLADDING

WPC ADVANTAGES

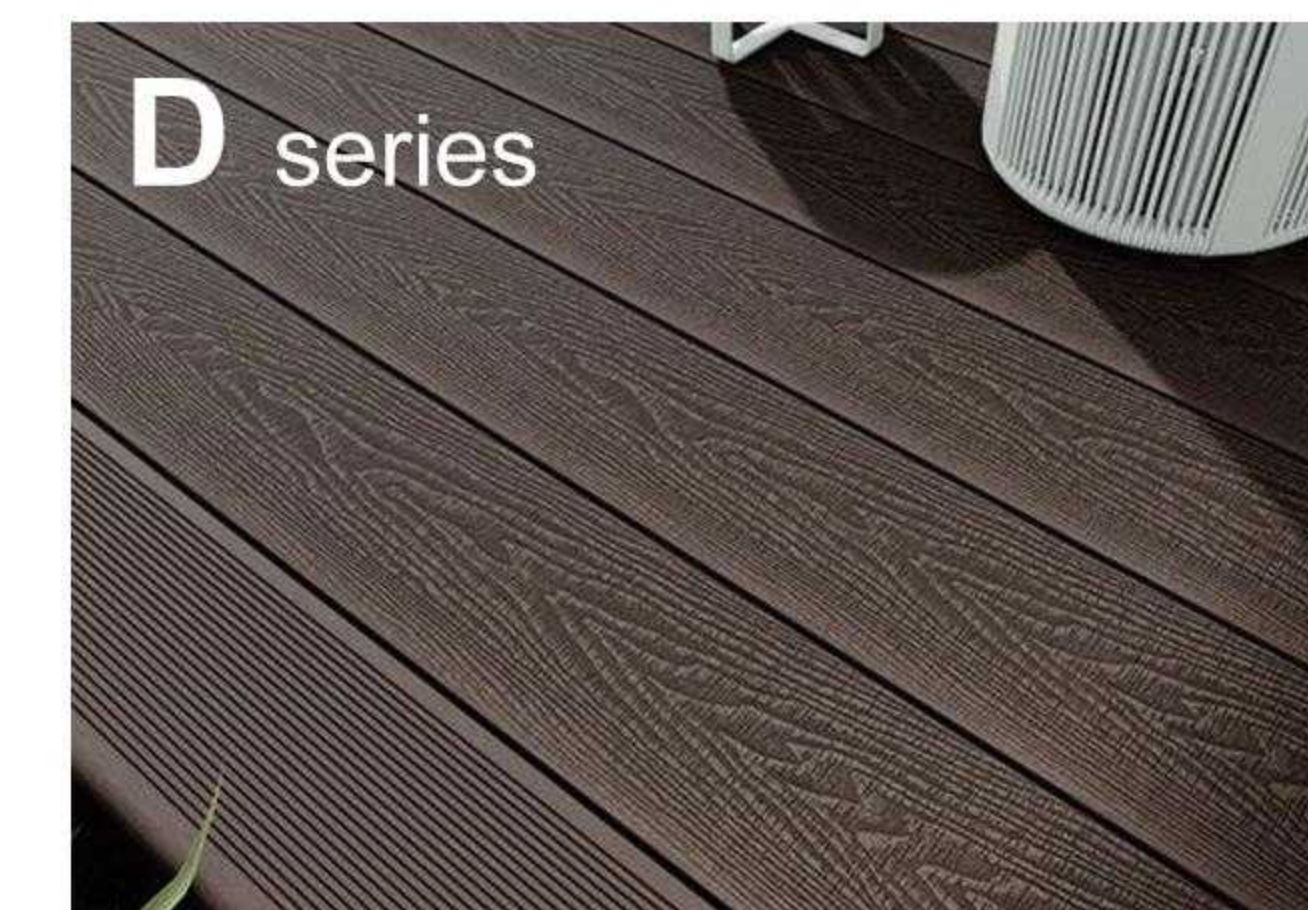
Waterproof, antislip and mildew resistant

Anti-UV, eco-friendly and ecological without painting

No cracking, never splinter, won't warp or corrode

Longer time durable than natural wood

CONTENTS.



Composite Decking



Composite Cladding



Timber Tube



Fences

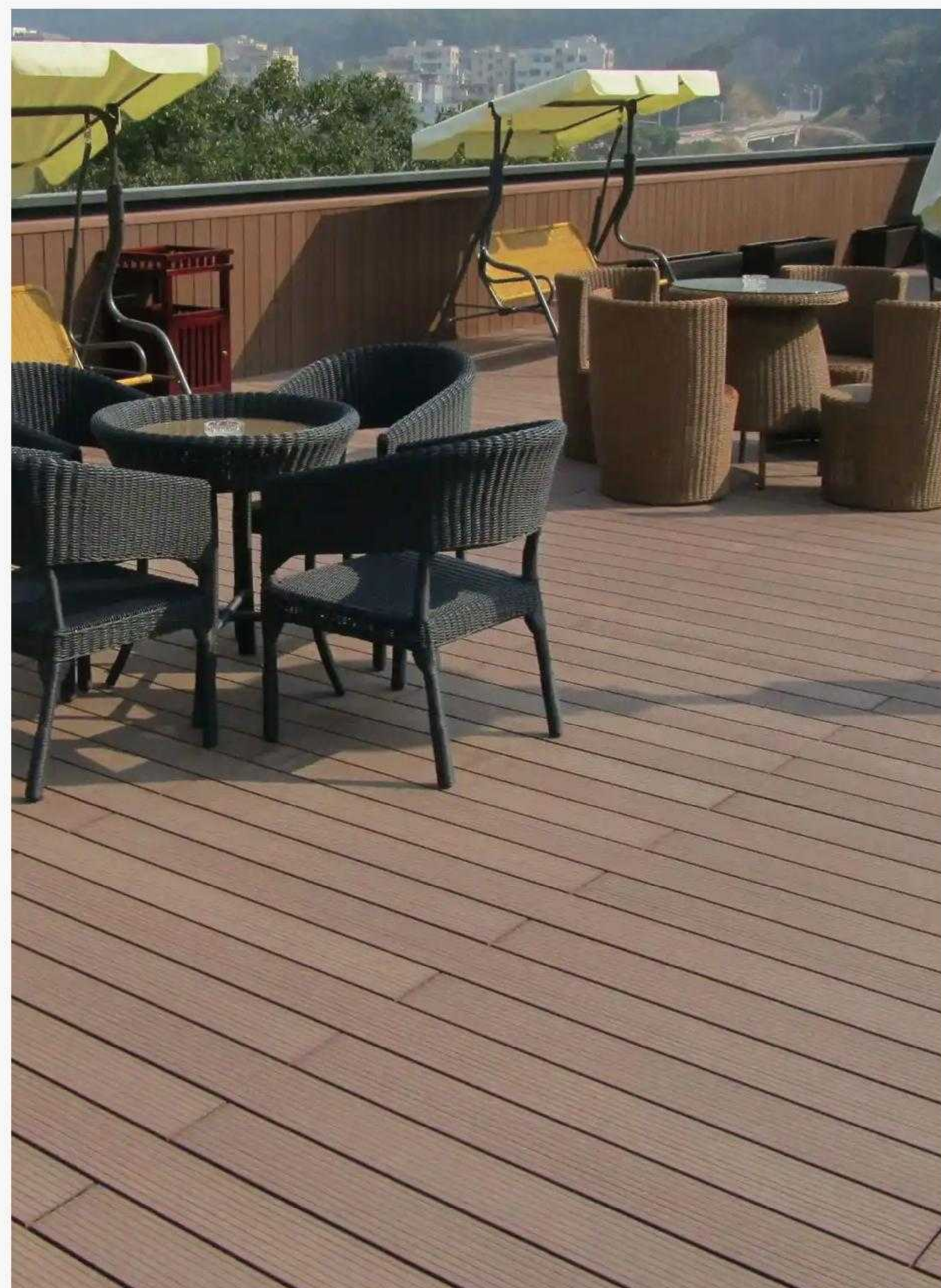


Accessories

D SERIES

WPC Classic Decking

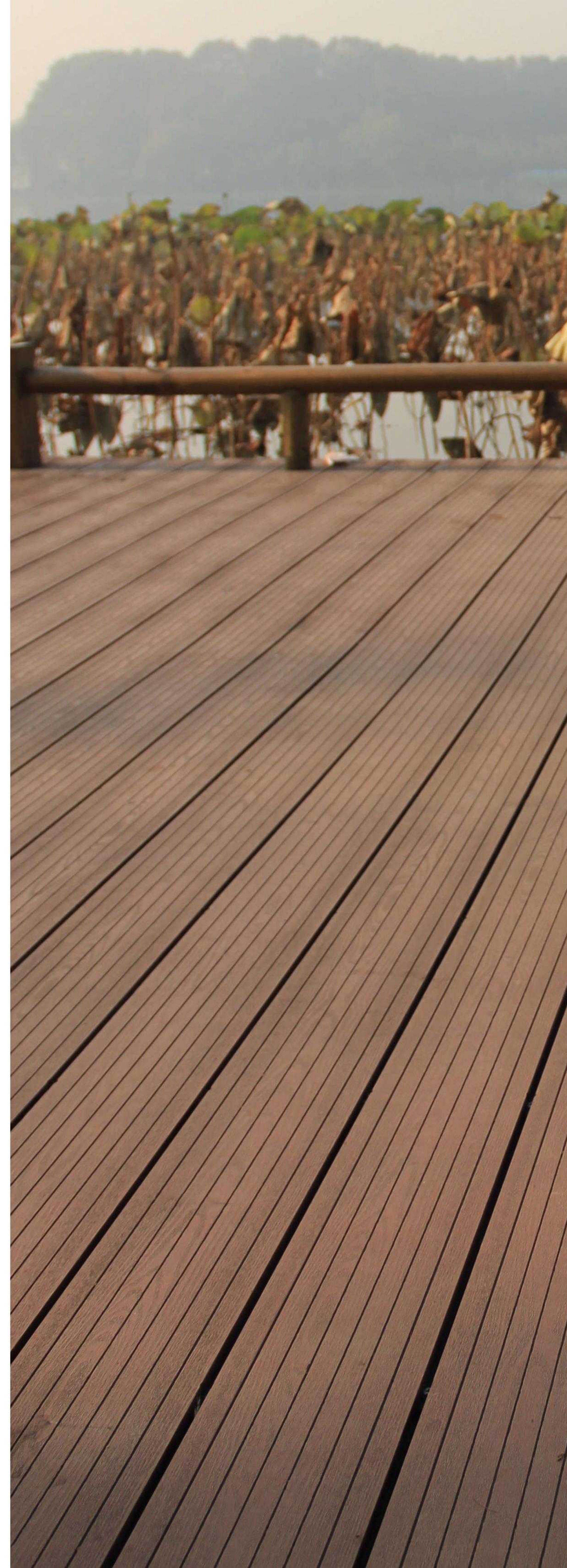
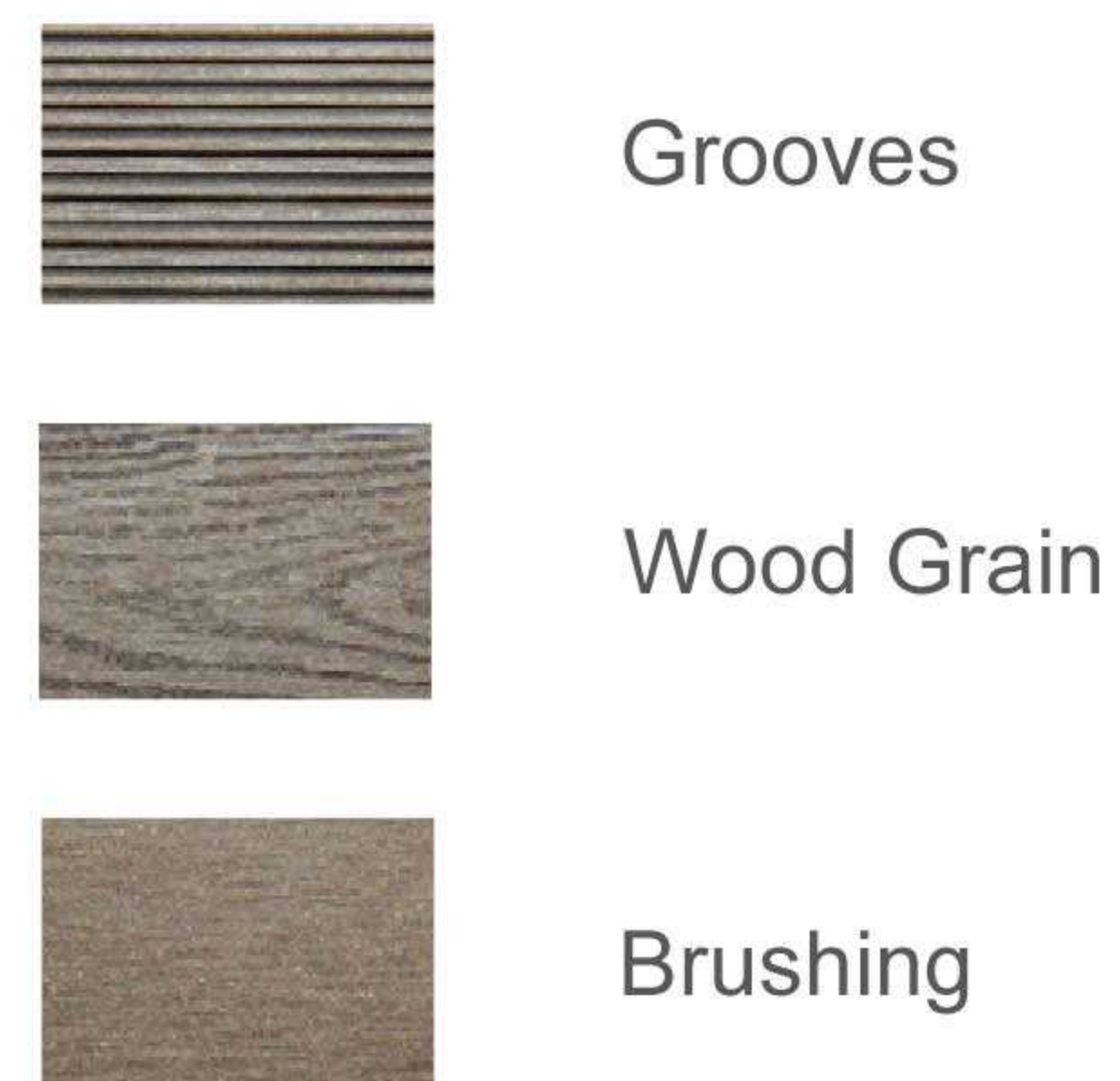
Affordable price, mainly composed of wood fiber and PE plastic, no co-extrusion layer, poor outdoor weather resistance, unstable performance. Short service life, easy to absorb water and oil, low stain resistance, easy to mold, crack, deform, and fade.



COLOR SELECTION

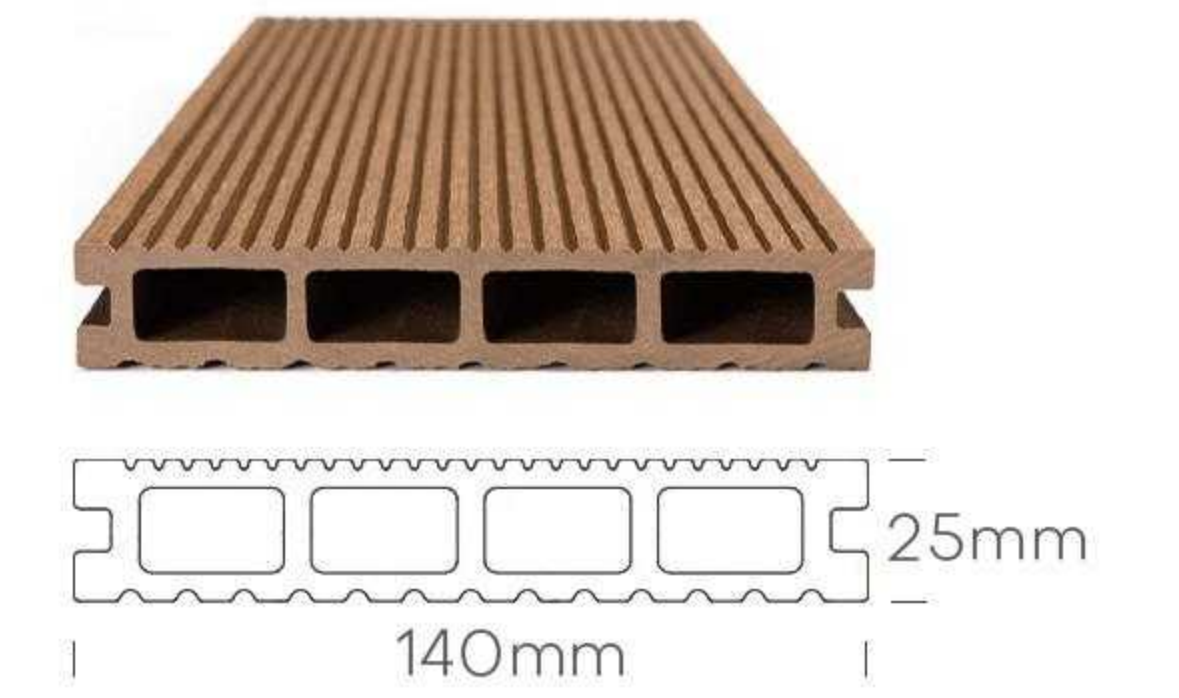


SURFACE TEXTURE



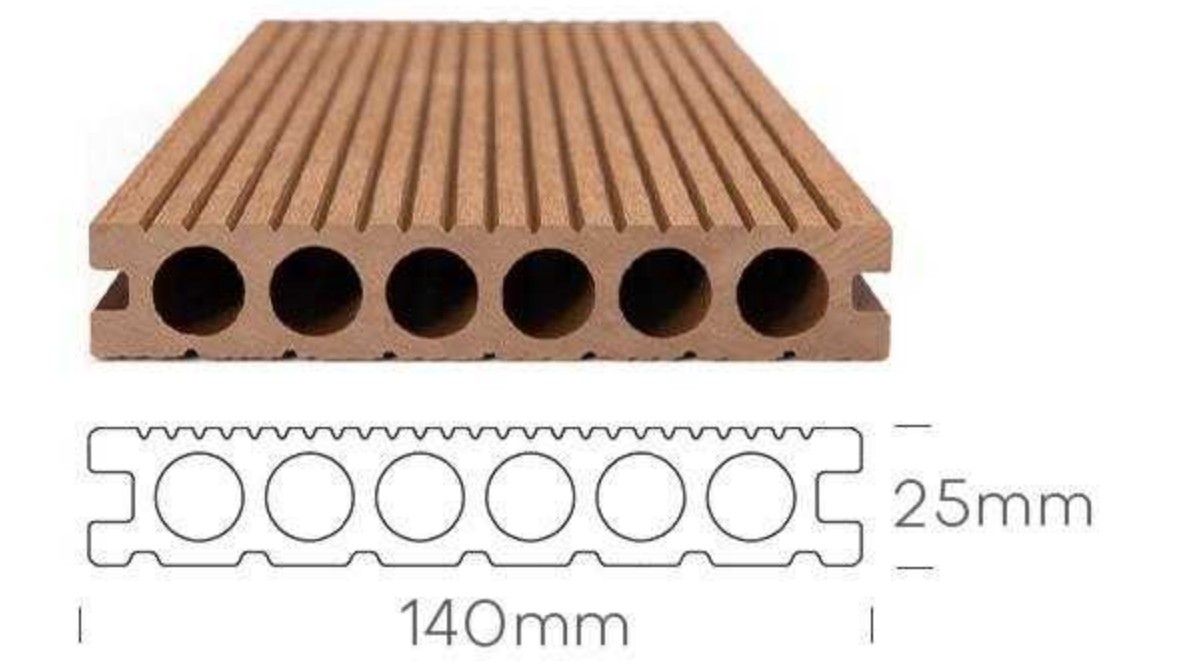
CSD14025AS

W 140mm
H 25mm
L 2900mm



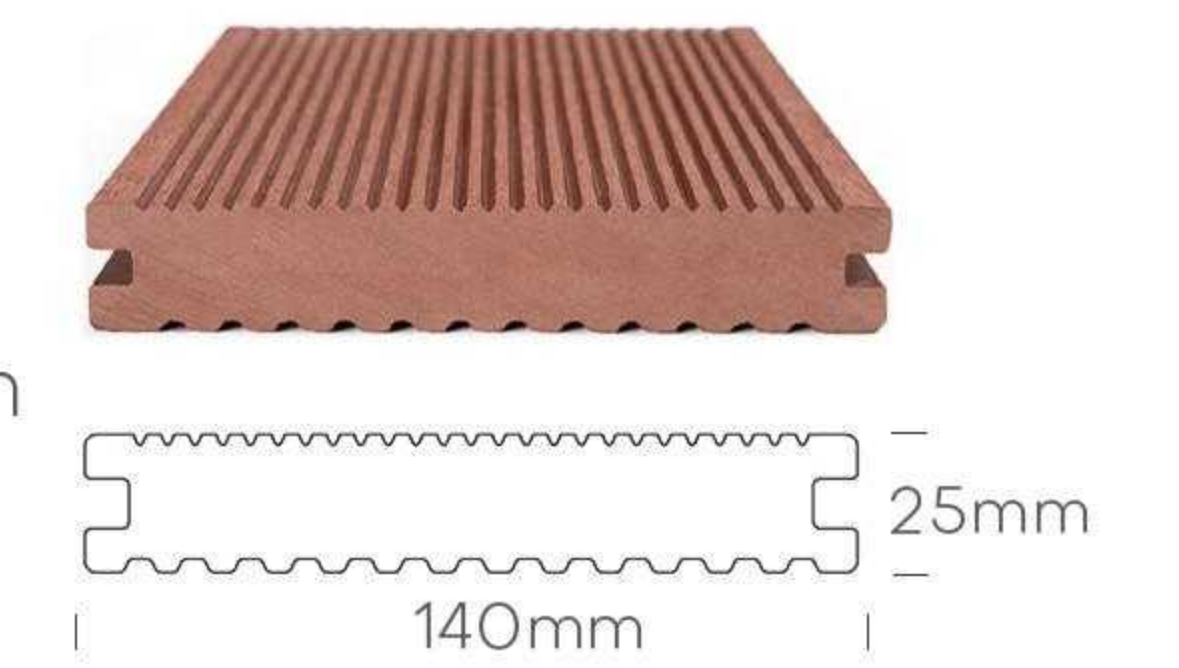
CSD14025AR

W 140mm
H 25mm
L 2900mm



CSD14025A

W 140mm/150mm
H 25mm
L 2900mm



CSD14025

W 140mm
H 25mm
L 2900mm



CSD15025

W 140mm
H 25mm
L 2900mm

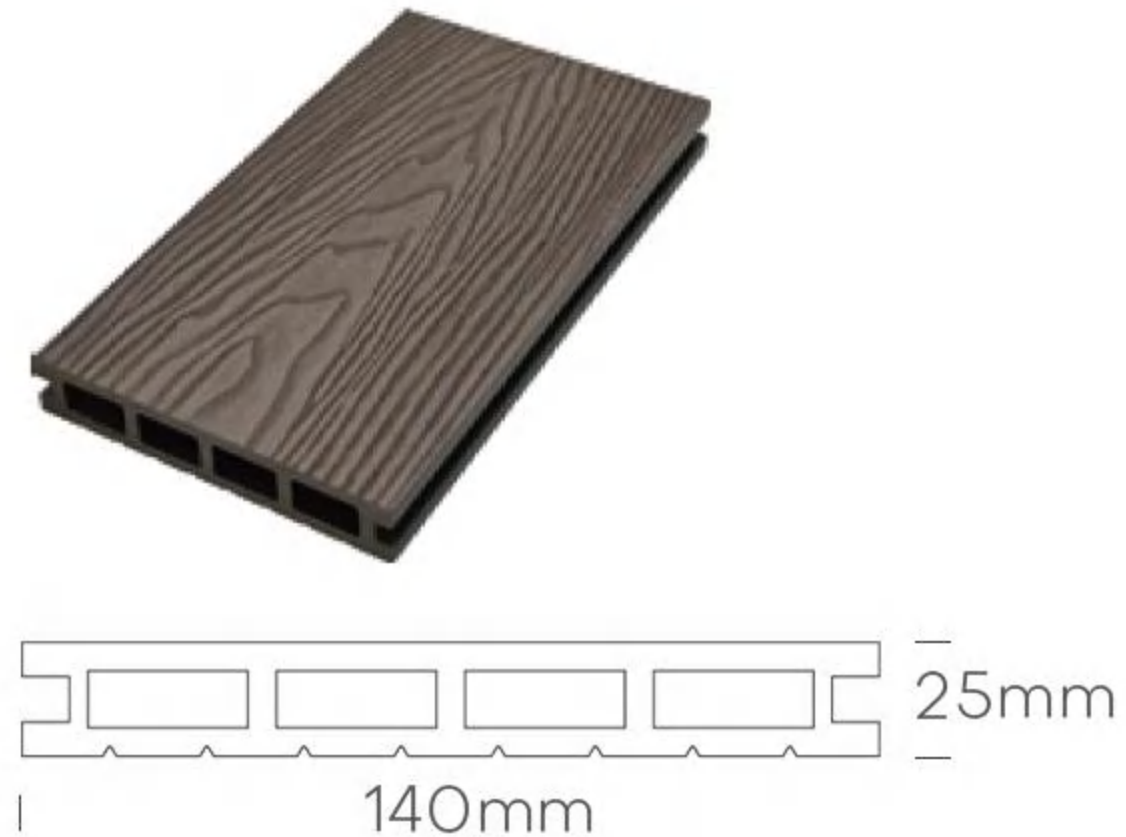


WPC 3D Embossed Decking

New production technique. The 3D Embossing wood grain is much deeper than normal, it can keep long-lasting texture during applications.

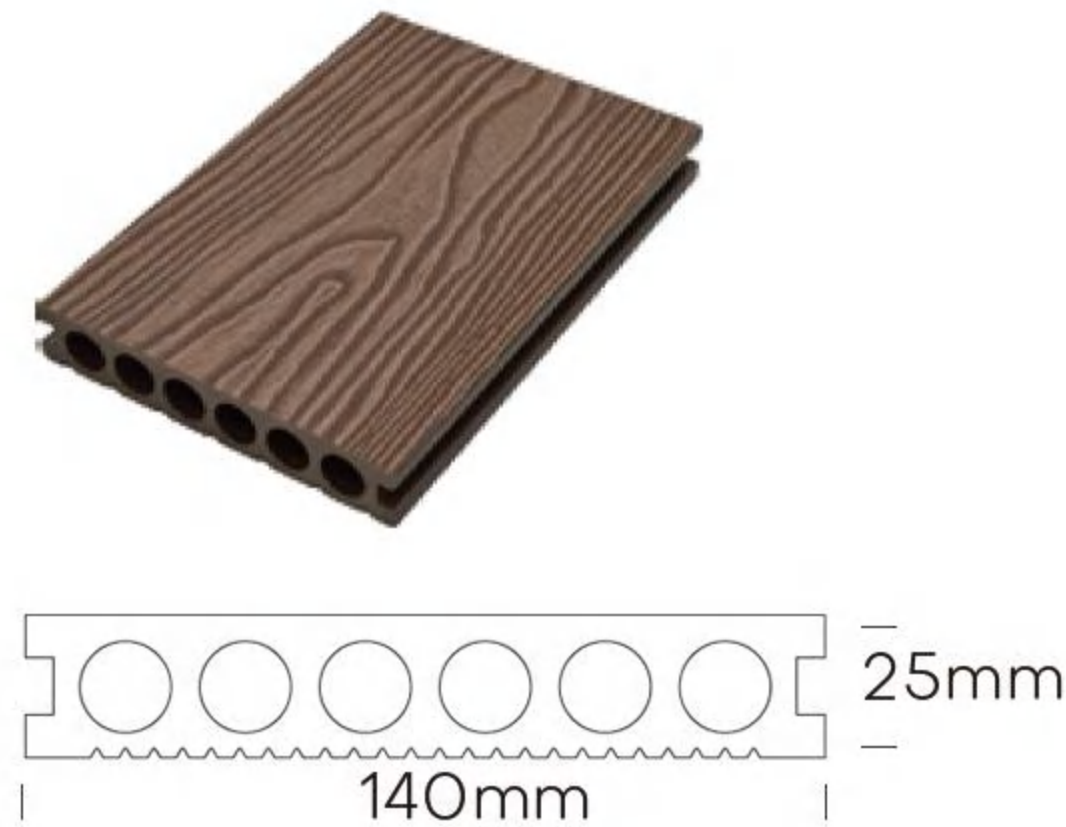
CSD14025AS-3D

W 140mm
H 25mm
L 2900mm



CSD14025AR-3D

W 140mm
H 25mm
L 2900mm



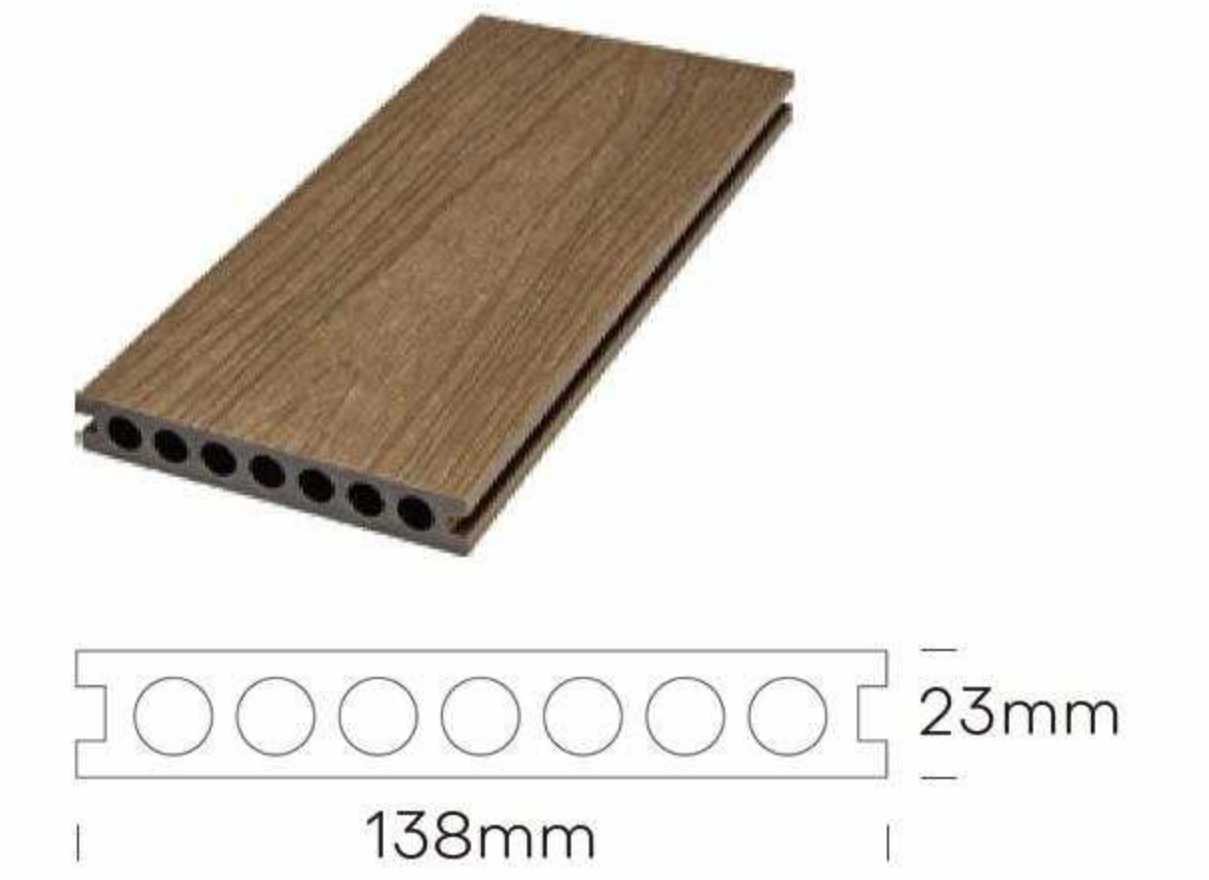


WPC Co-extrusion Decking

WPC co-extrusion decking has a highly weather-resistant PE co-extruded layer coating, including a PE core layer and a PE co-extruded layer. It has strong outdoor weather resistance, will not absorb water or oil, has strong oil resistance, is mildew-proof, and white-soft-proof. It has rich color, resists fading, and has a long service life.

CSD13823B

W 138mm
H 23mm
L 2900mm



CSD14023B

W 140mm
H 23mm
L 2900mm



SURFACE TEXTURE



Grooves



Wood Grain



Brushing

COLOR SELECTION



Light Gray



Silver Gray



Brown



Rosewood



Teak Flow Pattern



Black



Grey



Yellowish brown



Claret



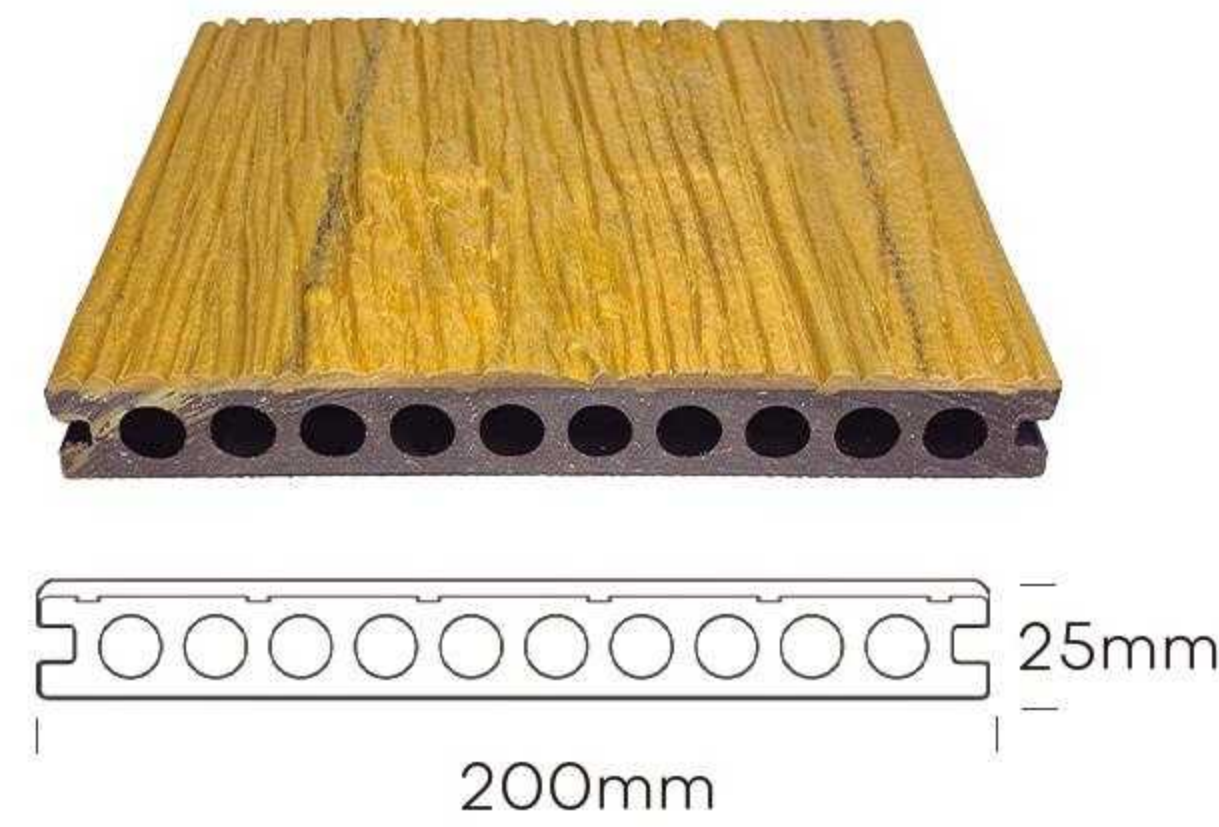
Teak

WPC Resilient Silent Decking

WPC resilient silent decking has good quiet and anti-slip effects, and is comfortable to walk on. It also has a highly weather-resistant PE co-extrusion layer coating, including a PE core layer and a PE co-extrusion layer, which has strong outdoor weather resistance, does not absorb water or oil, has strong oil resistance, is mildew-proof, and is white and soft-proof. It has rich colors, is not easy to fade, and has a long service life.

CSD20025

W 200mm
H 25mm
L 2900mm



COLOR SELECTION



Desert Yellow



Teak



Mahogany



Old Wood



Smoke Gray



Light Gray



Charcoal



ASA Composite Decking

The core layer of the third generation outdoor wood plastic is PVC with micro foaming, and the co-extrusion layer uses ASA co-extrusion. The weight per meter of the product is about 40% lighter than the second generation PE co-extrusion. The weather resistance, long-term use and color stability are greatly improved compared with the second generation products. The fading rate does not exceed 5% in 15 years.

SURFACE TEXTURE



Grooves



Wood Grain

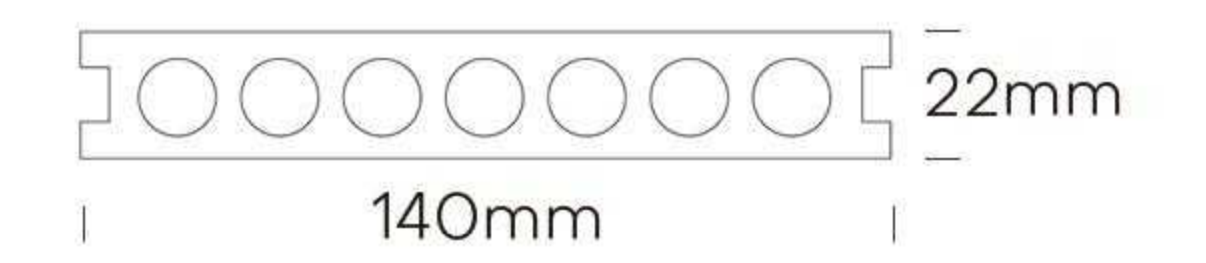


Brushing



ASA14022R

W 140mm
H 22mm
L 2900mm



ASA14022

W 140mm
H 22mm
L 2900mm



COLOR SELECTION



Maple



Teak



Grey



Redwood



Old Wood



Rosewood



Sandalwood



Asian Teak



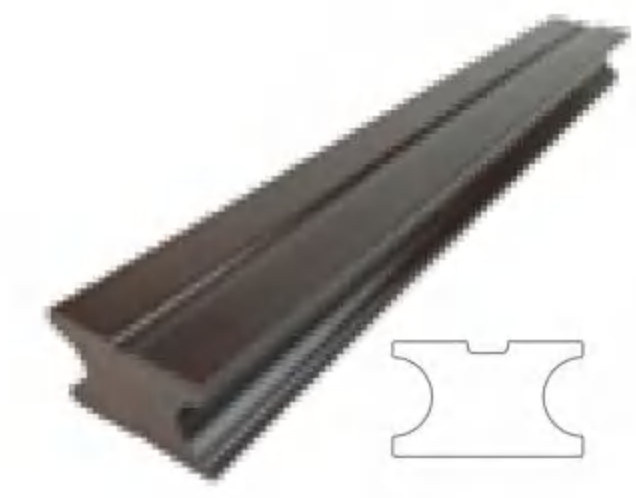
Crude Wood



Black Walnut

Installation Method

Accessories



WPC Keel



A-1

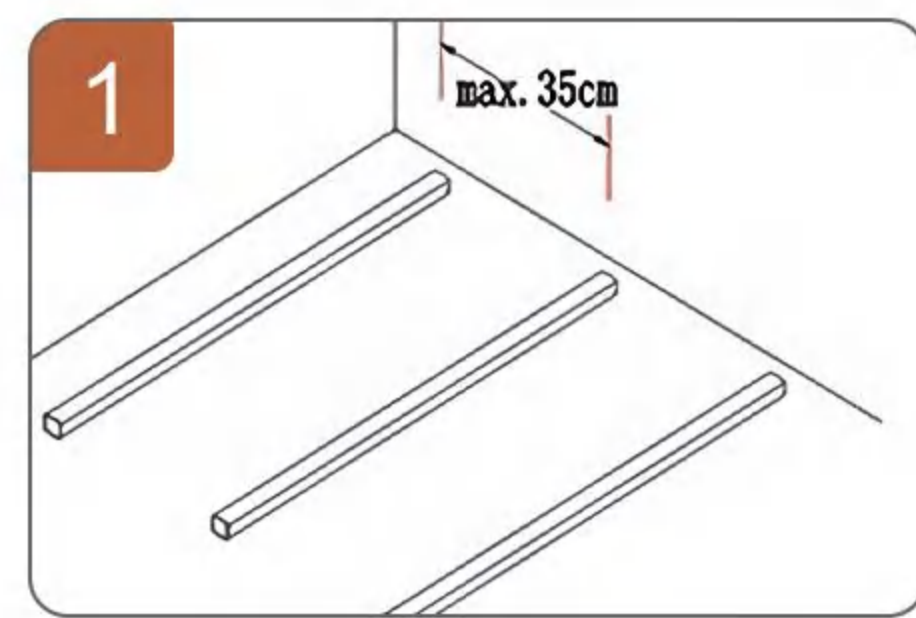


Plastic buckle

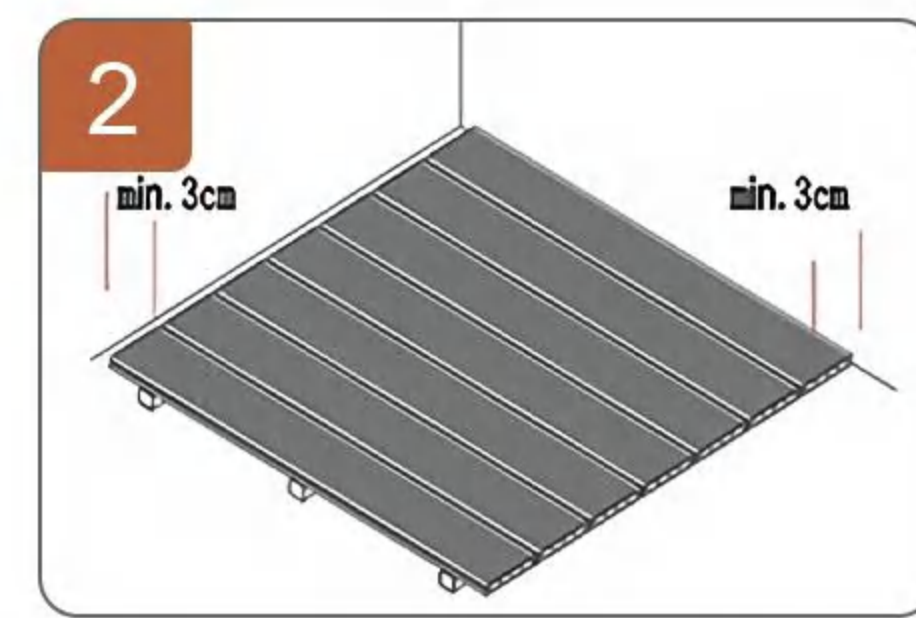


Galvanized clip

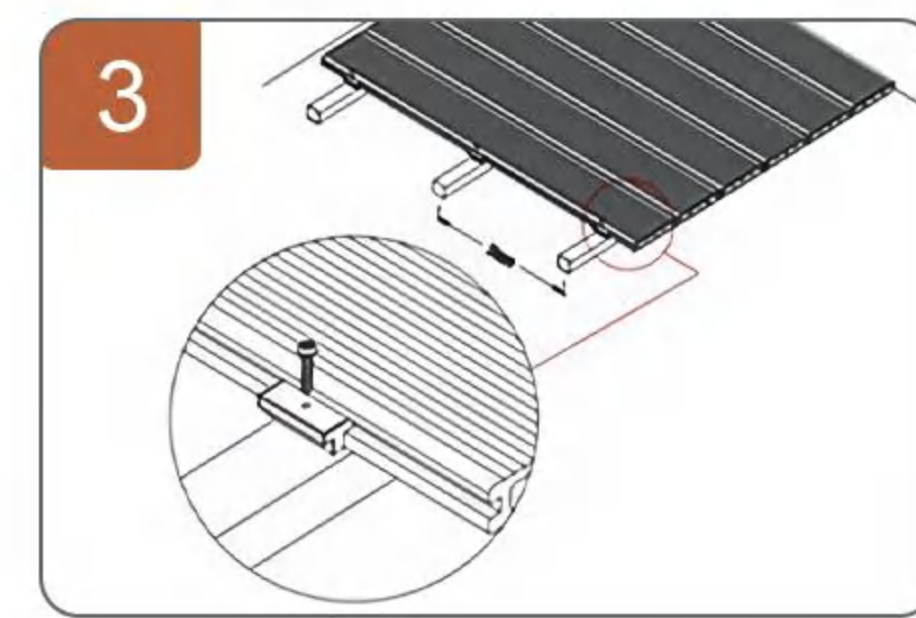
Installation



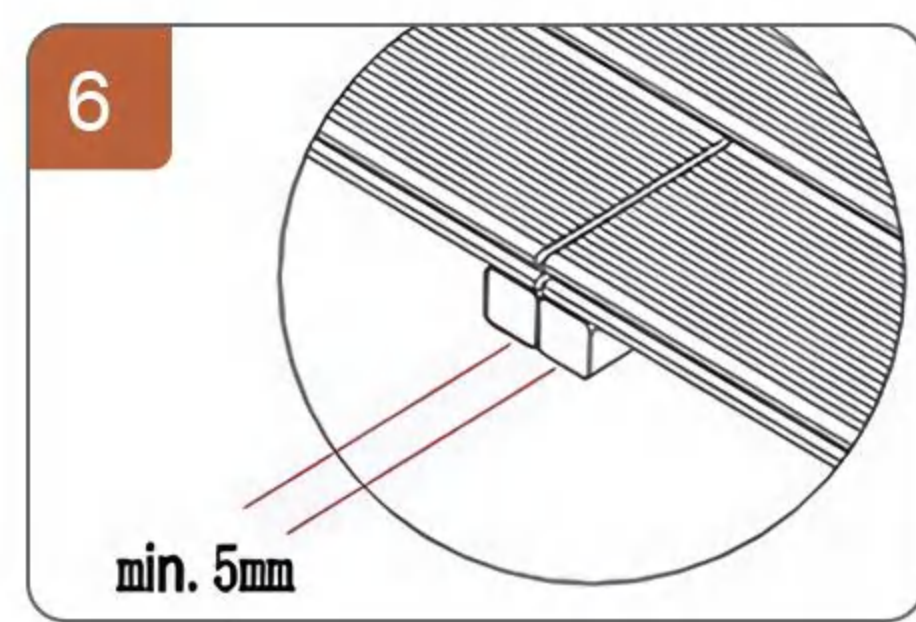
1. Install the joists, ensuring that the distance between two joists does not exceed 35 cm.



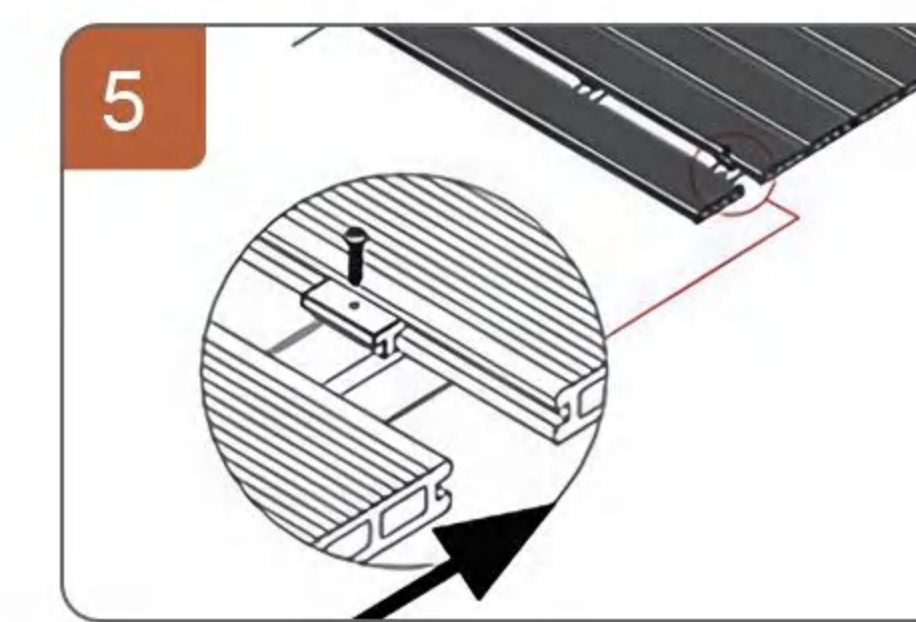
2. Leave a 3 cm gap between the decking and the building.



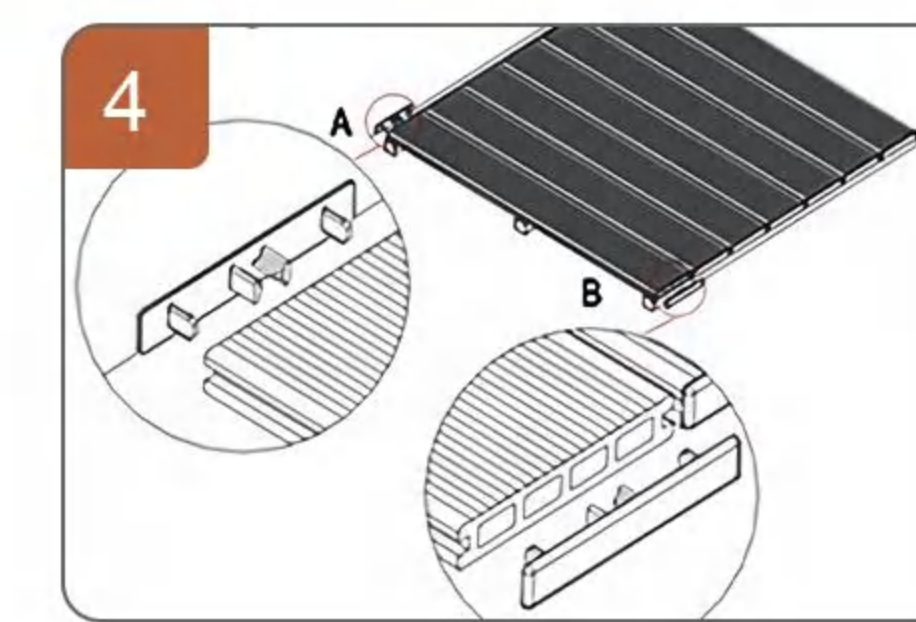
3. Secure the decking to the joists using metal fasteners.



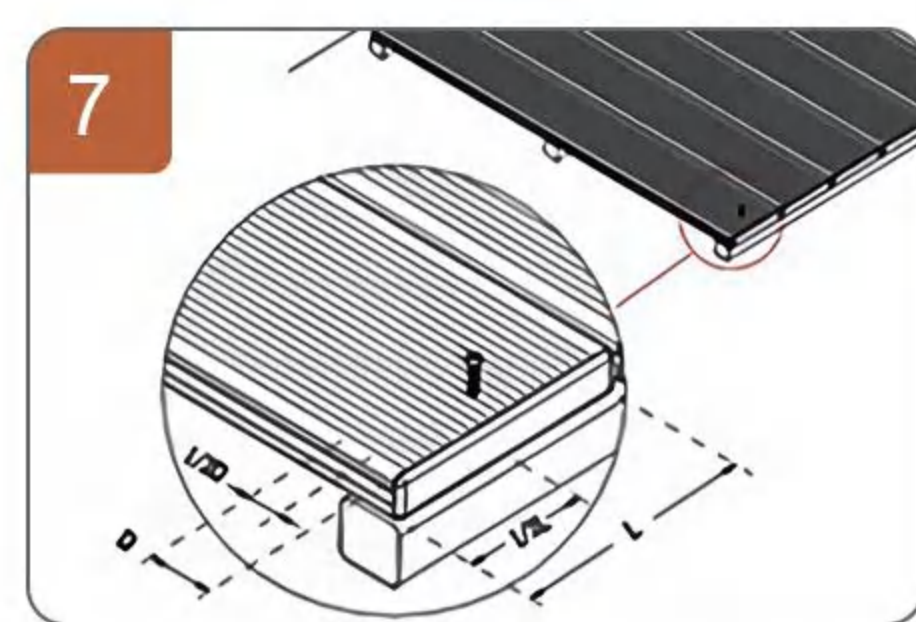
6. Ensure a gap of at least 5 mm between two decking boards.



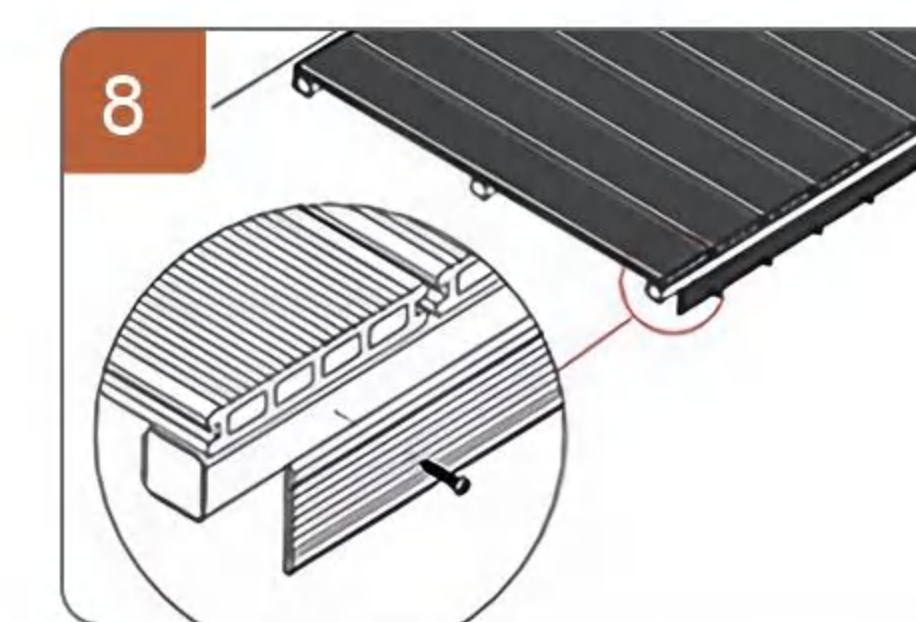
5. Connect and secure two decking boards to the joists using metal clips.



4. Seal the ends of the hollow decking boards.



7. Fix the first and last decking boards to the surface or side using screws.



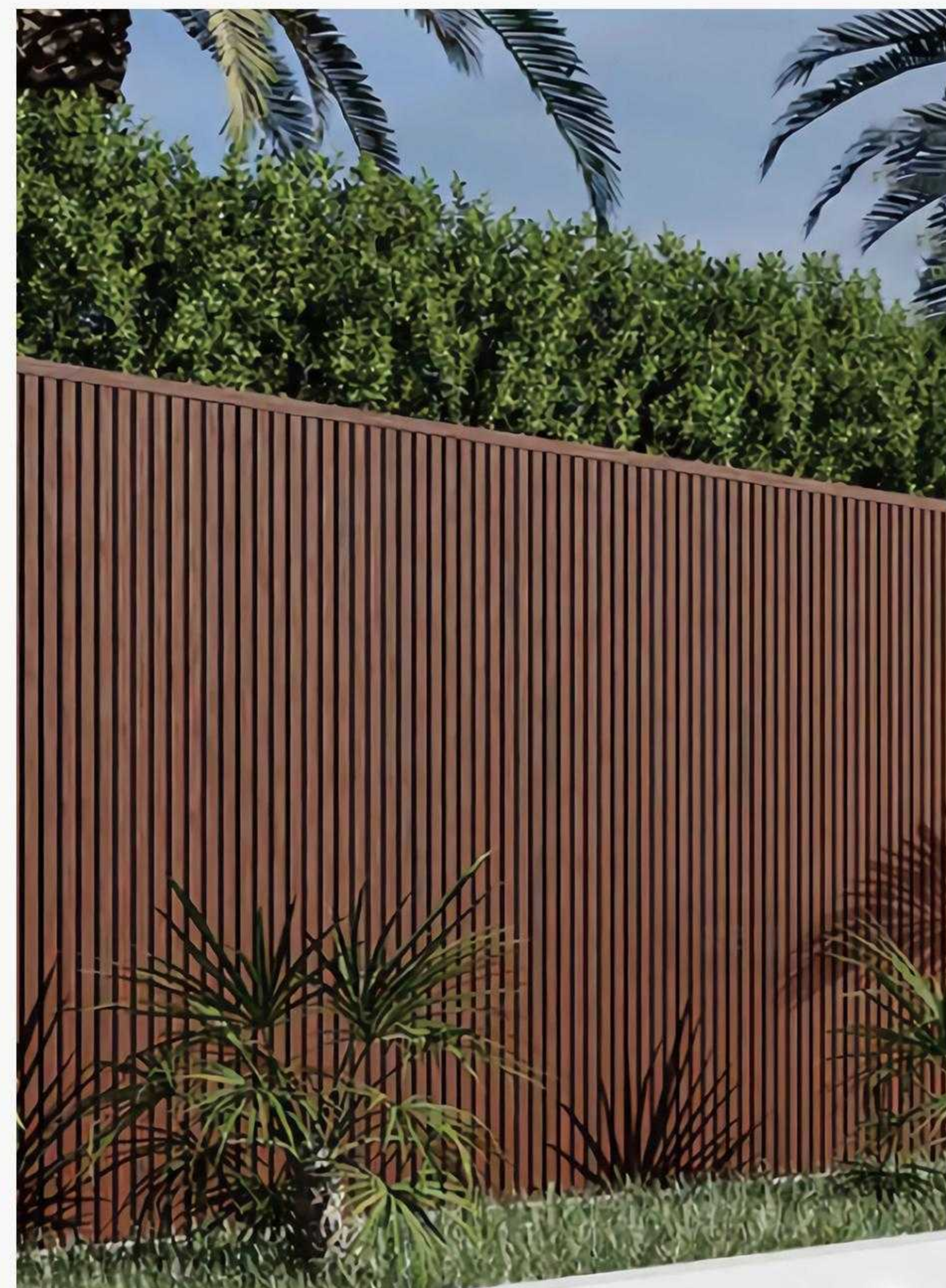
8. Install side fascia boards to finish.



W SERIES

WPC Classic Wall Panel

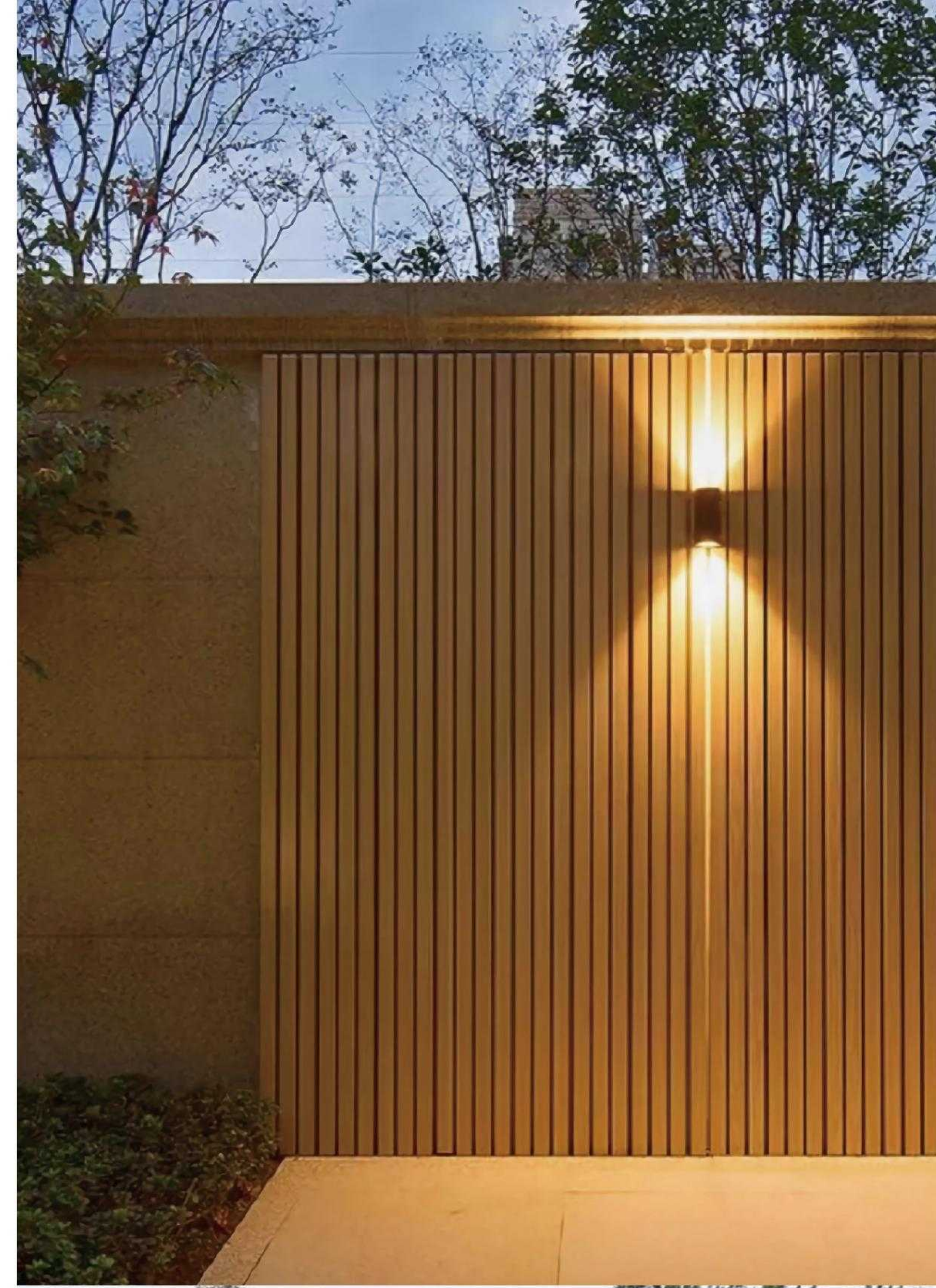
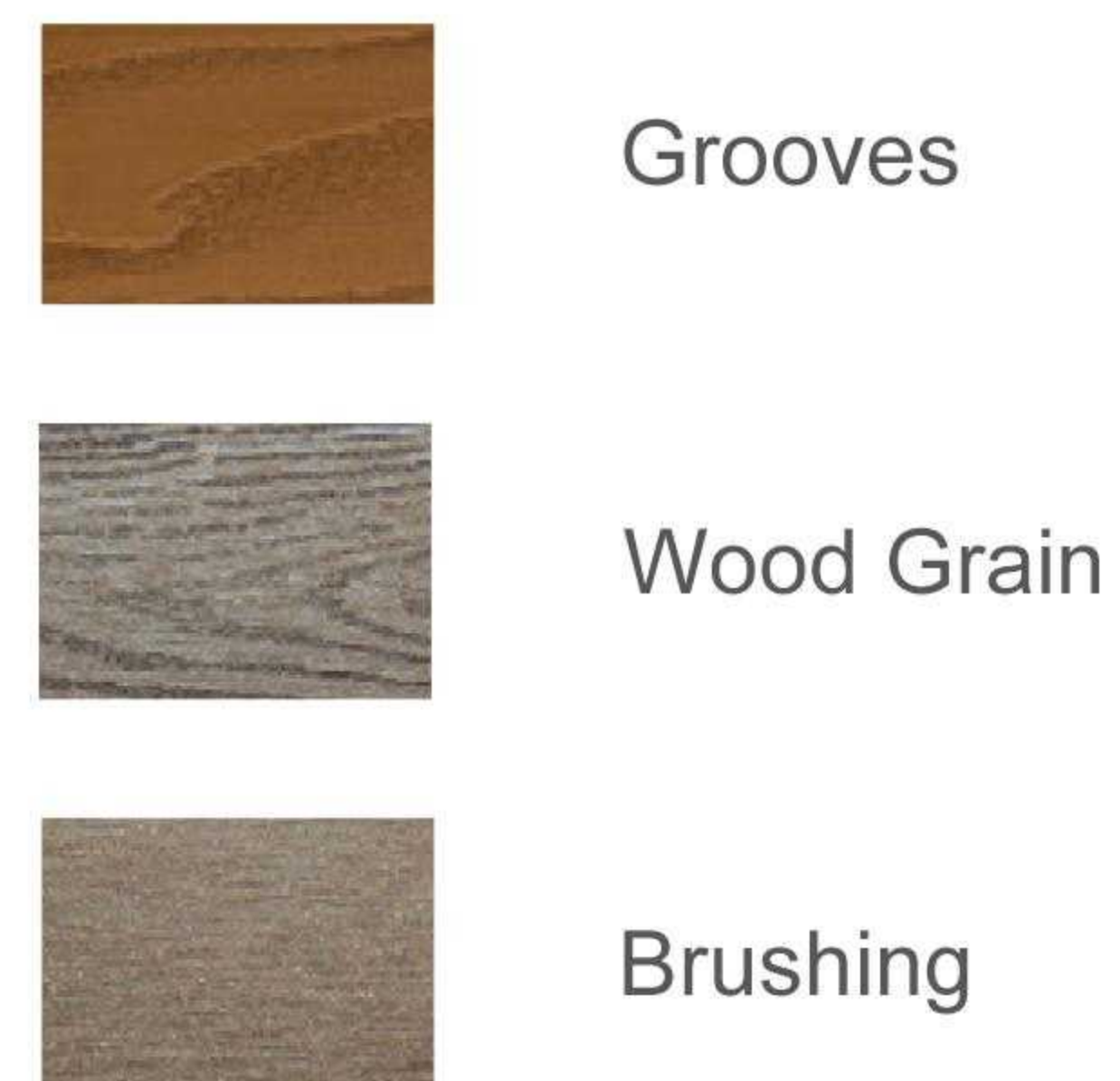
Affordable price, mainly composed of wood fiber and PE plastic, no co-extrusion layer, poor outdoor weather resistance, unstable performance. Short service life, easy to absorb water and oil, low stain resistance, easy to mold, crack, deform, and fade.



COLOR SELECTION

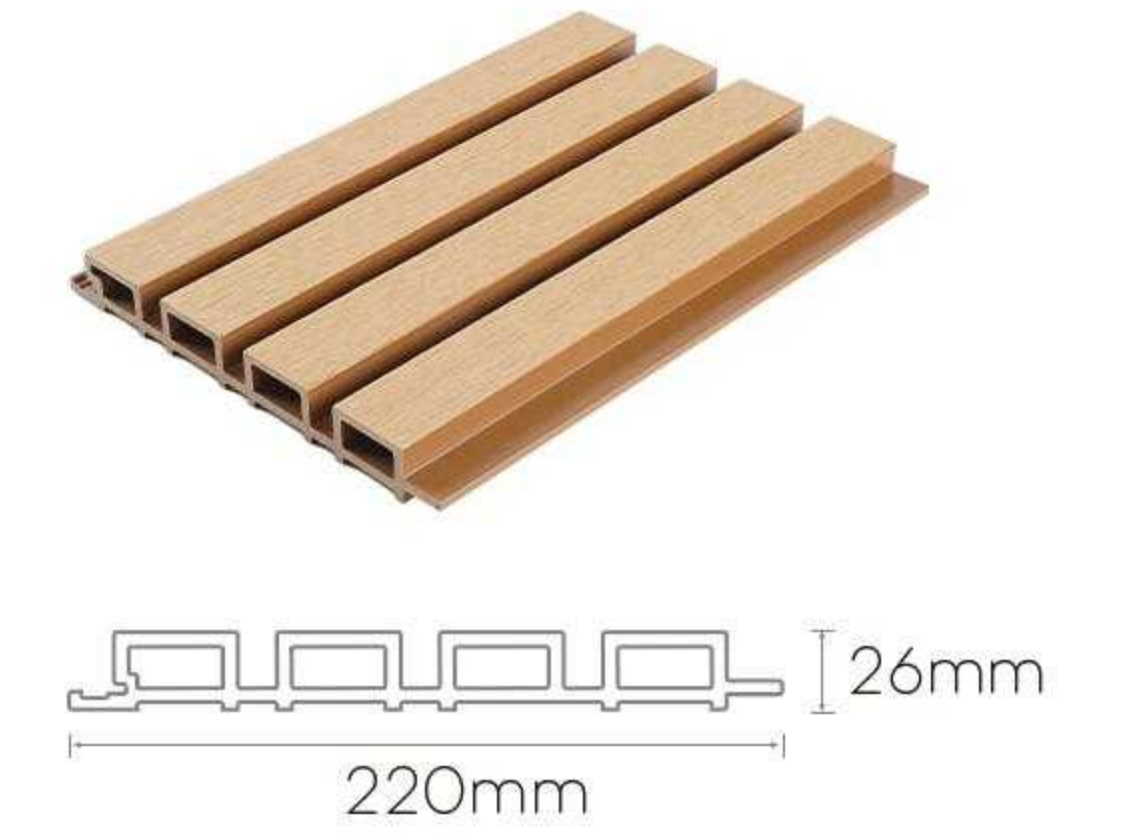


SURFACE TEXTURE



CSP22026A

W 220mm
H 26mm
L 2900mm



CSP14821A

W 140mm
H 25mm
L 2900mm



CSP15520A

W 155mm
H 20mm
L 2900mm



WPC Co-extrusion Cladding

Aesthetic material style through different designs, easy to install, no painting undamaged by rot or insects.



Wood Grain



Sanding



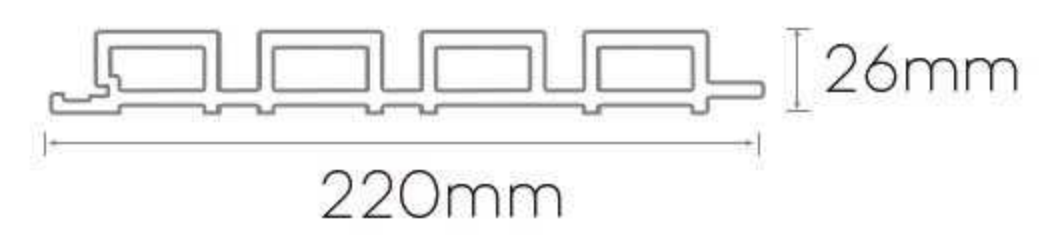
Straight Line



Embossed

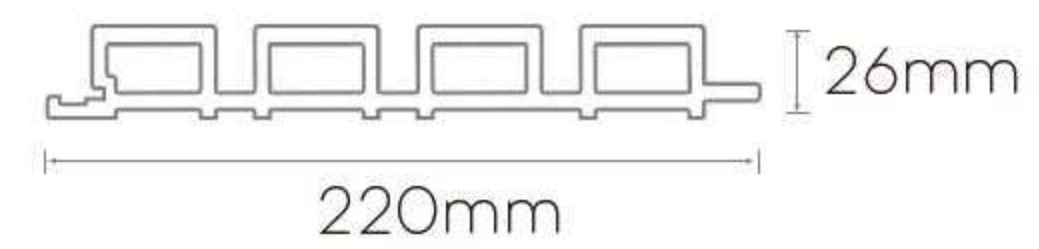
CSP22026B

W 220mm
H 26mm
L 2900mm



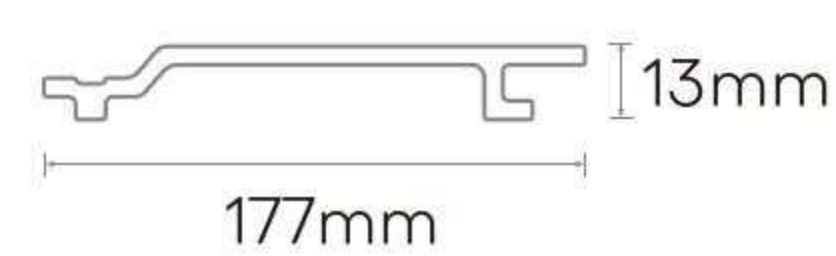
CSP22026BH

W 220mm
H 26mm
L 2900mm



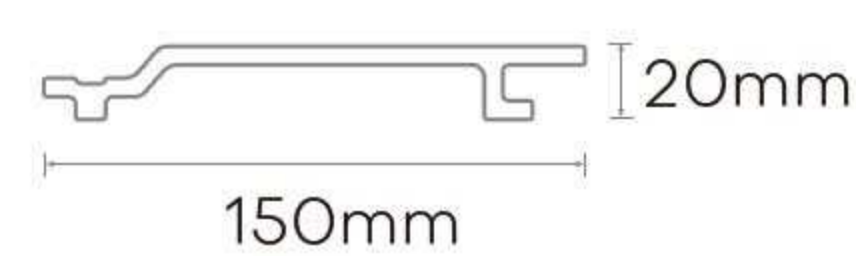
CSP17713B

W 177mm
H 13mm
L 2900mm



CSP15520B

W 150mm
H 20mm
L 2900mm



COLOR SELECTION



Light Gray



Silver Gray



Brown



Rosewood



Teak Flow Pattern



Grey



Yellowish brown



Claret



Teak



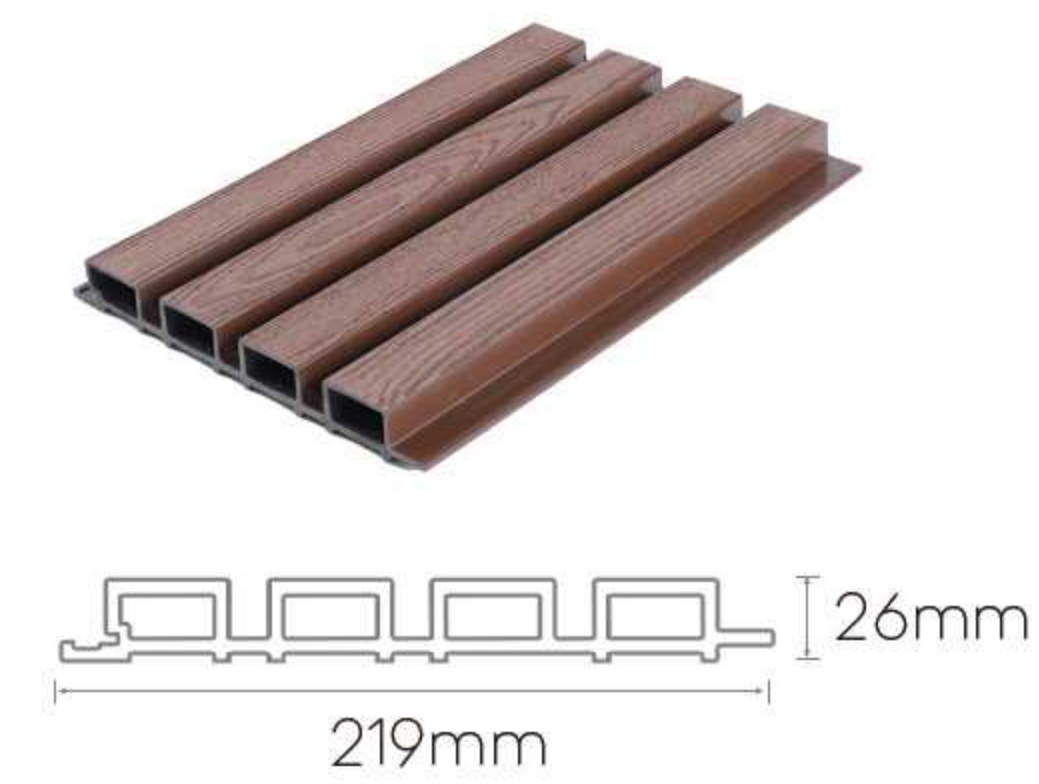
Black

ASA Composite Cladding

The core layer of the third generation outdoor wood plastic is PVC with micro foaming, and the co-extrusion layer uses ASA co-extrusion. The weight per meter of the product is about 40% lighter than the second generation PE co-extrusion. The weather resistance, long-term use and color stability are greatly improved compared with the second generation products. The fading rate does not exceed 5% in 15 years.

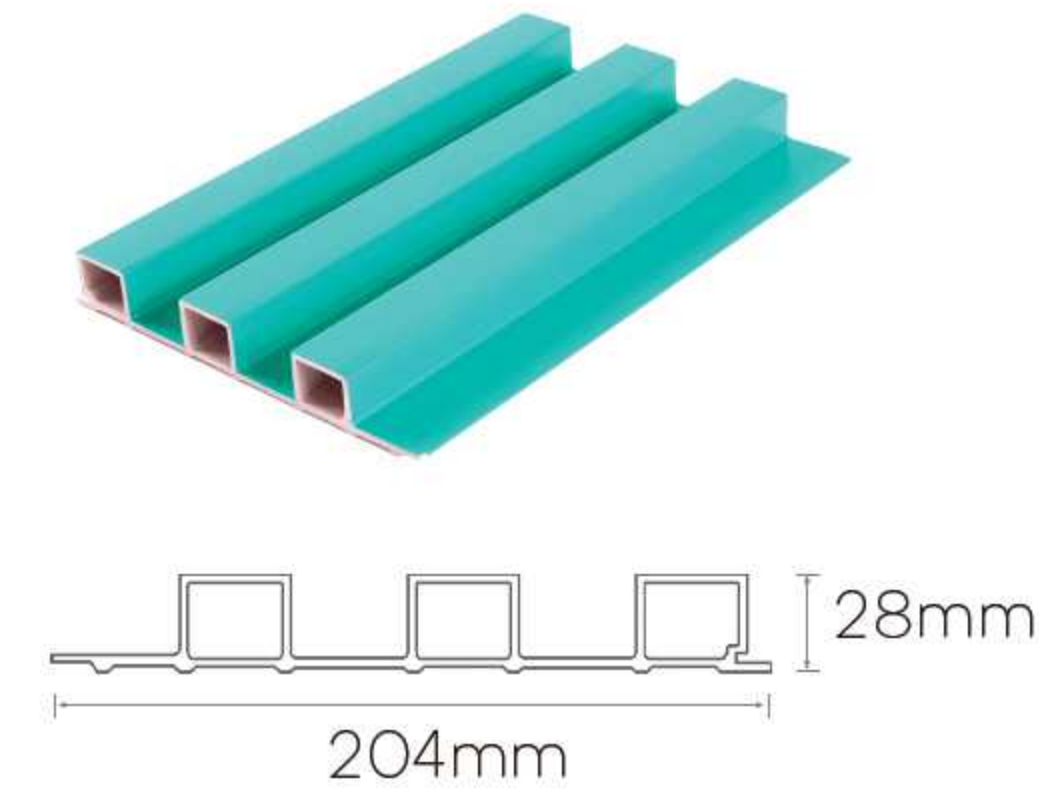
ASA21926

W 219mm
H 26mm
L 2900mm



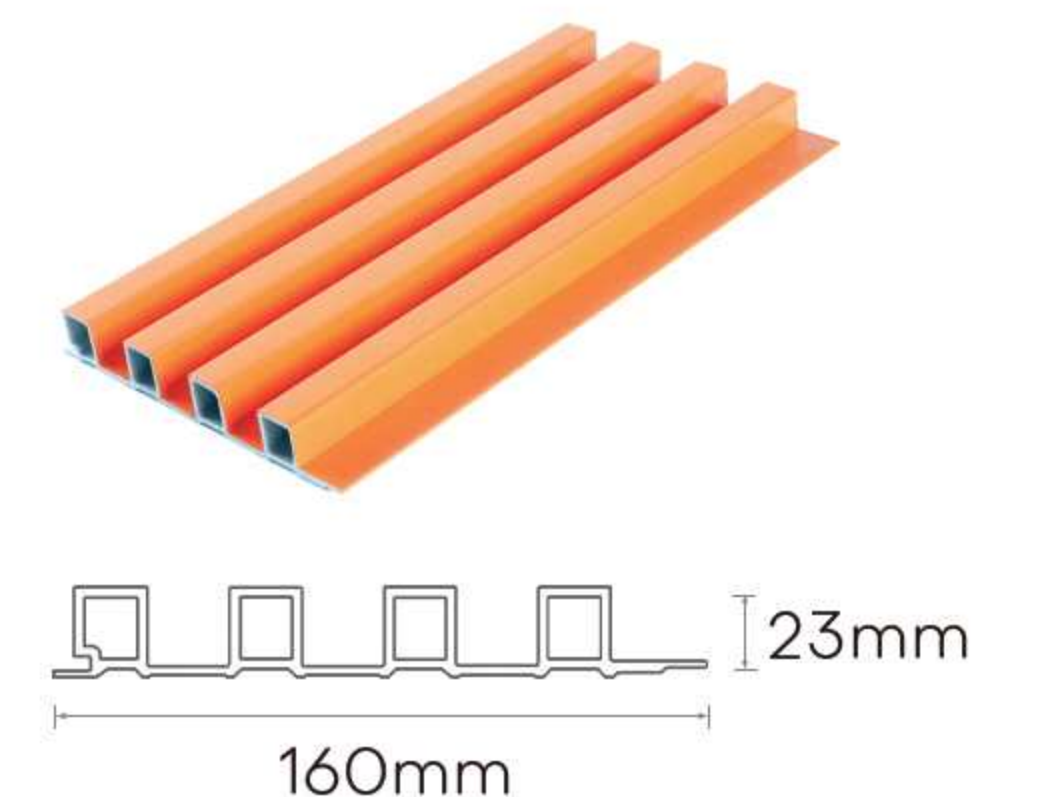
ASA19528

W 204mm
H 28mm
L 2900mm



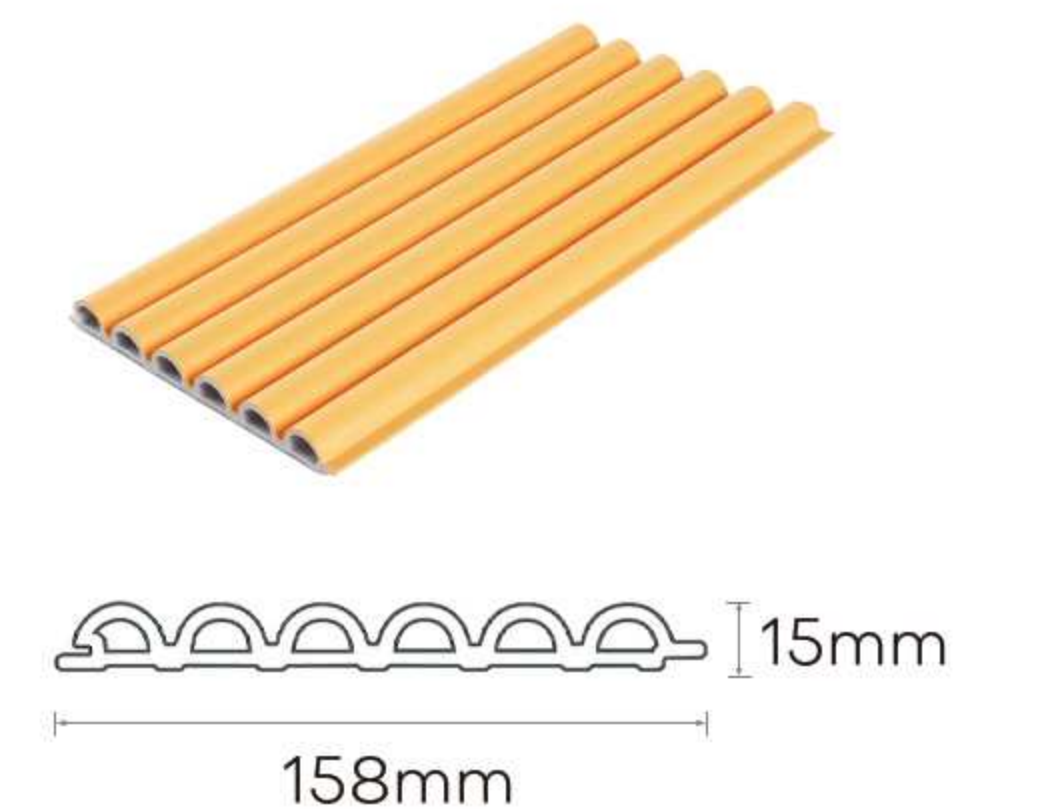
ASA15023

W 160mm
H 23mm
L 2900mm



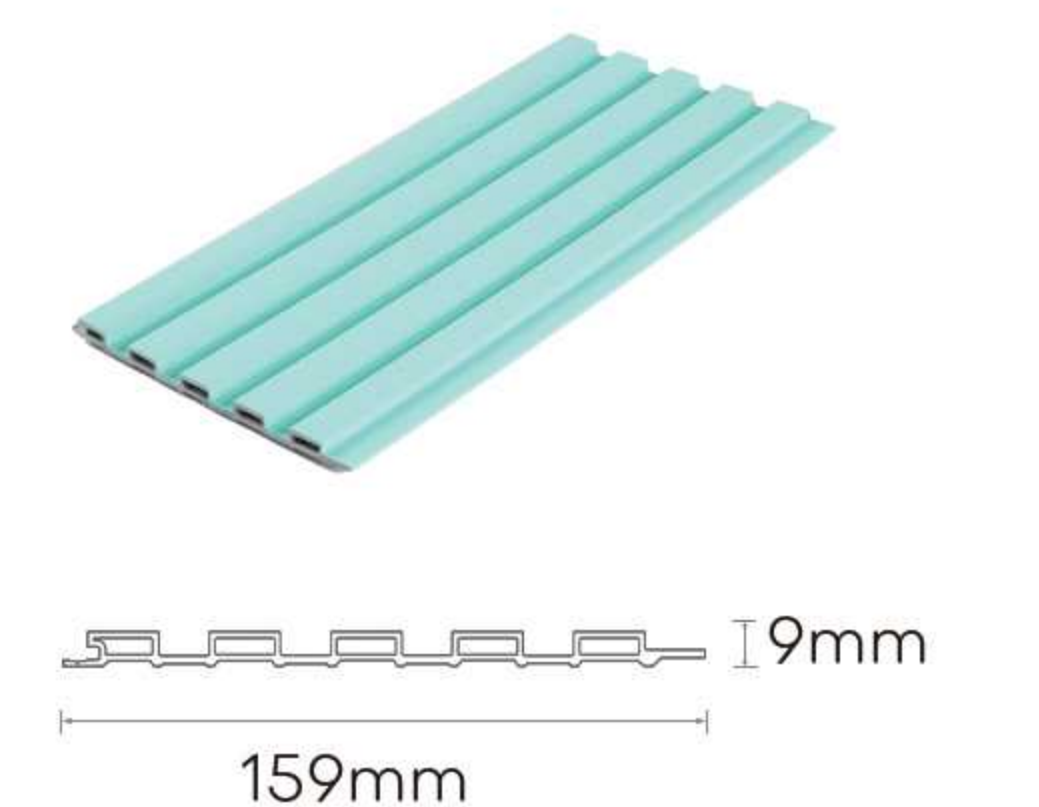
ASA15015

W 158mm
H 15mm
L 2900mm



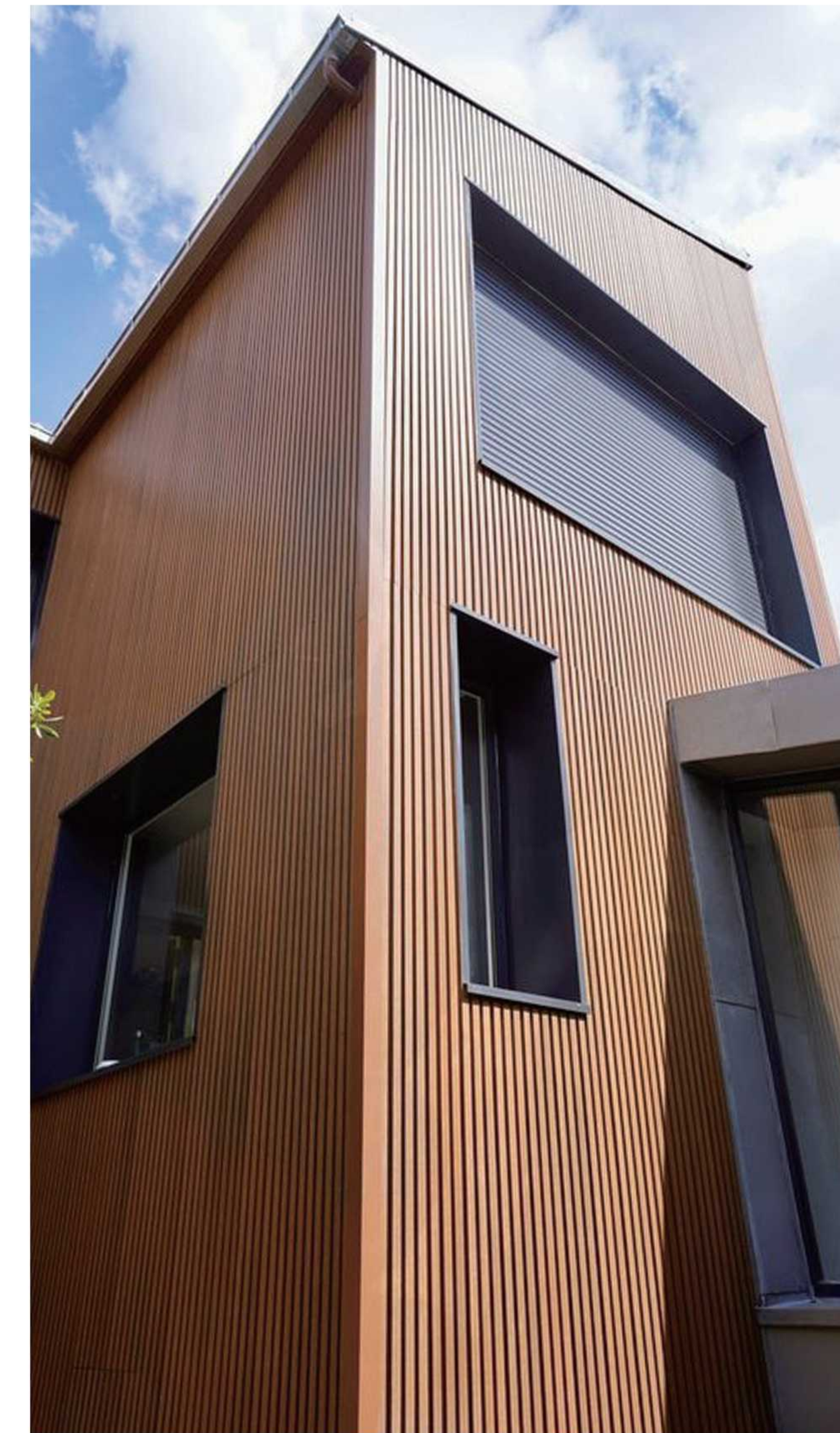
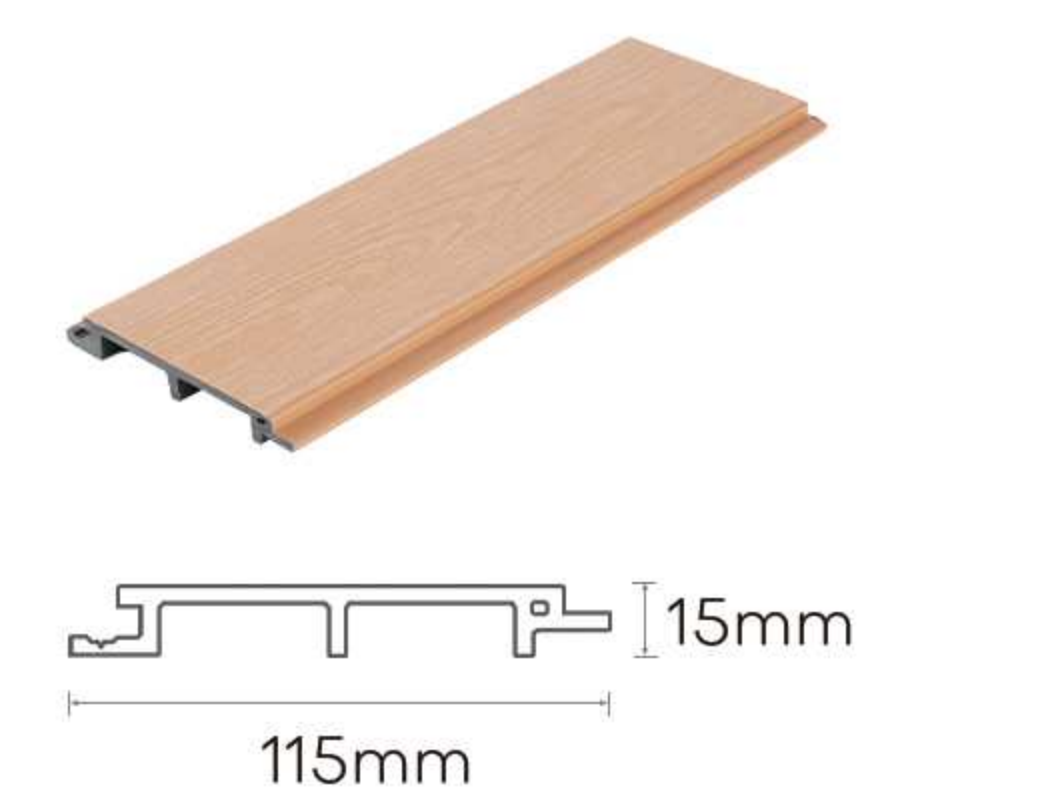
ASA1509

W 159mm
H 9mm
L 2900mm

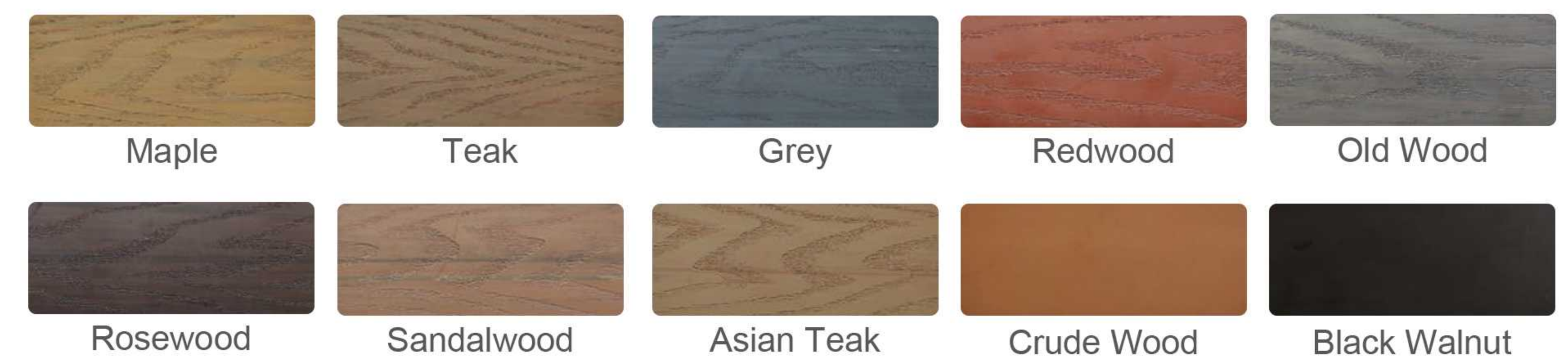


ASA10015

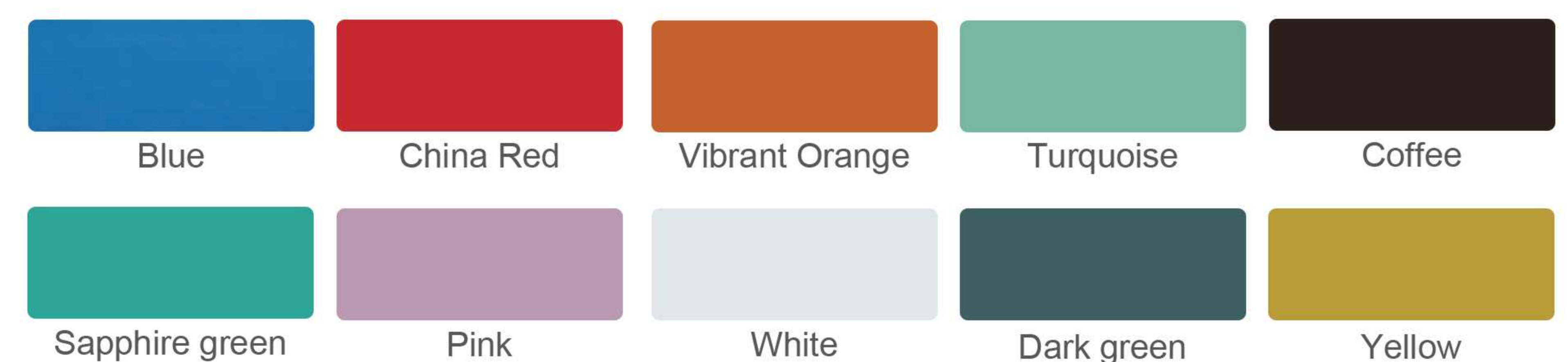
W 115mm
H 15mm
L 2900mm



WOOD GRAIN SELECTION



COLOR SELECTION



◦ Accessories



PJJX-1



PJFB-2



PJFB-3

◦ Installation



◦ Step 1

Fix the studs to the wall.



◦ Step 2

Secure the product to the studs.



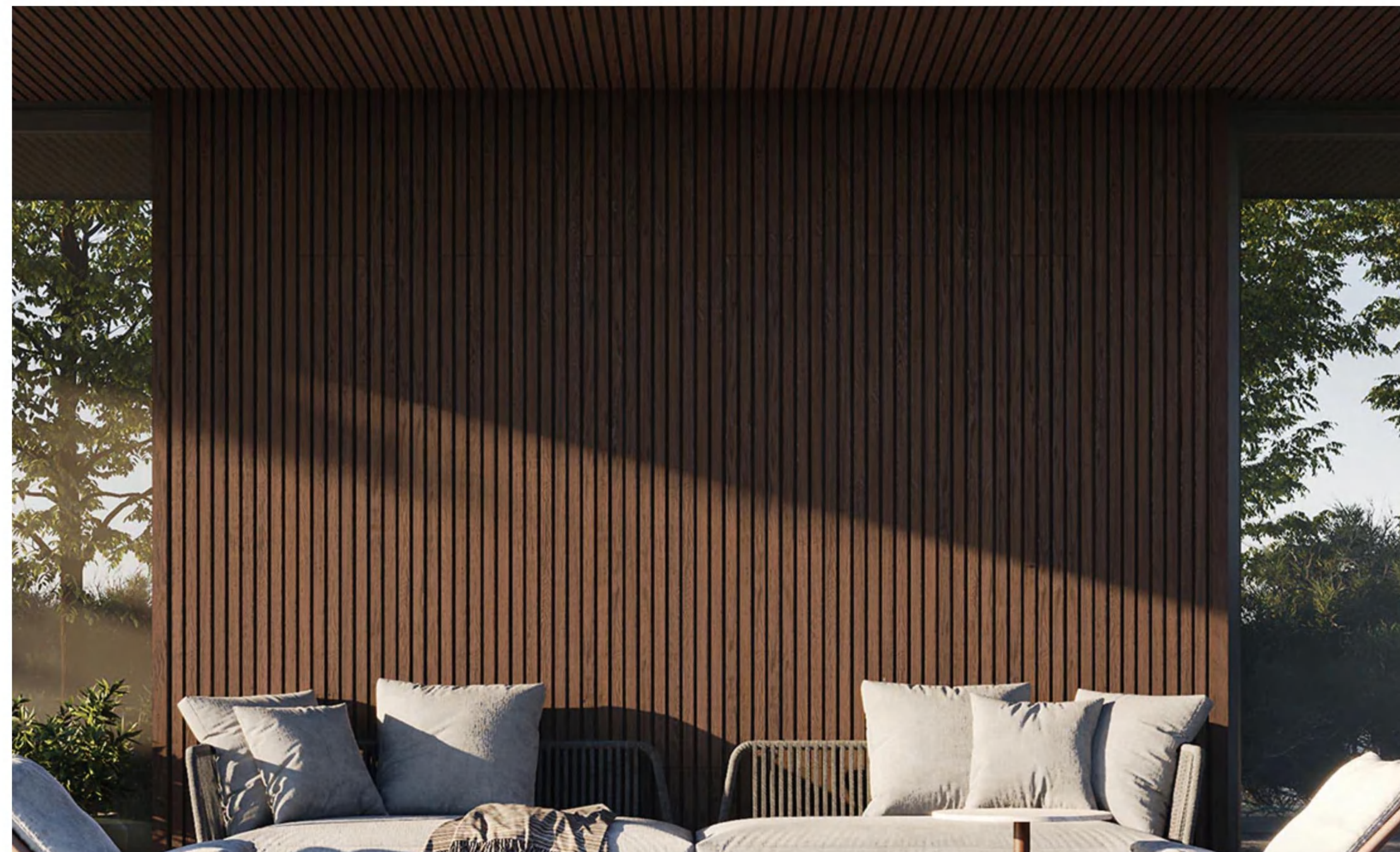
◦ Step 3

Arrange the products in a front-to-back order.



◦ Step 4

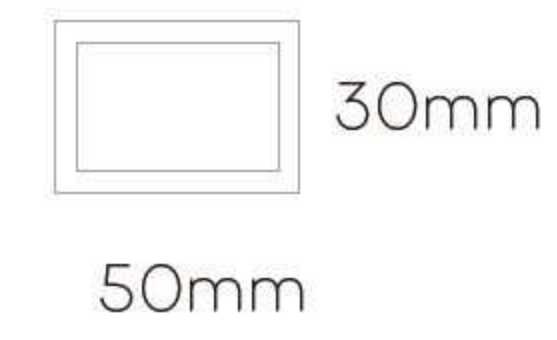
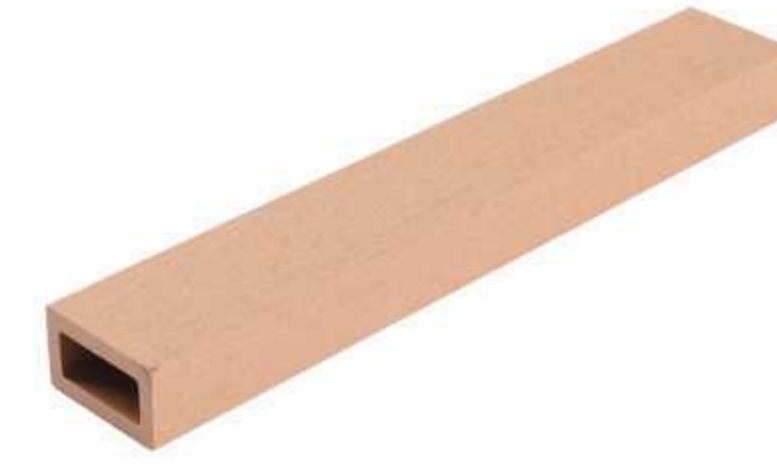
Installation is complete.



T SERIES

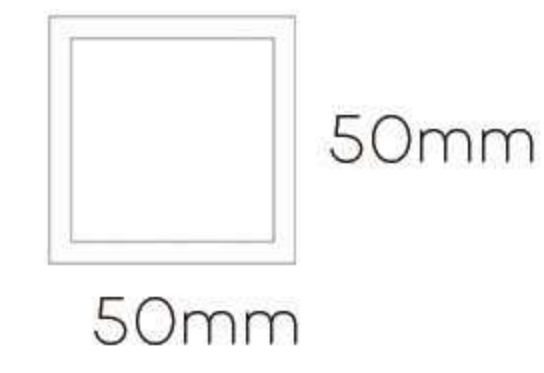
WPC Classic Timber Tube

CSP3050A



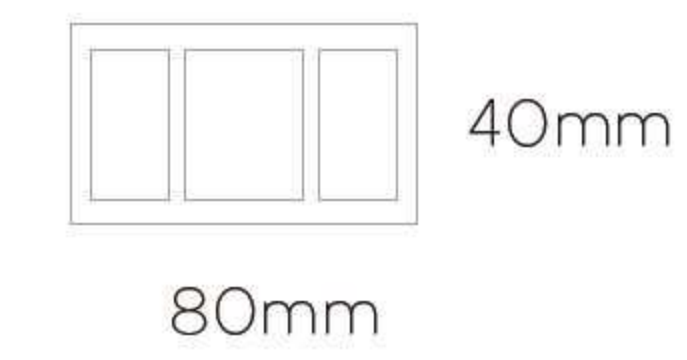
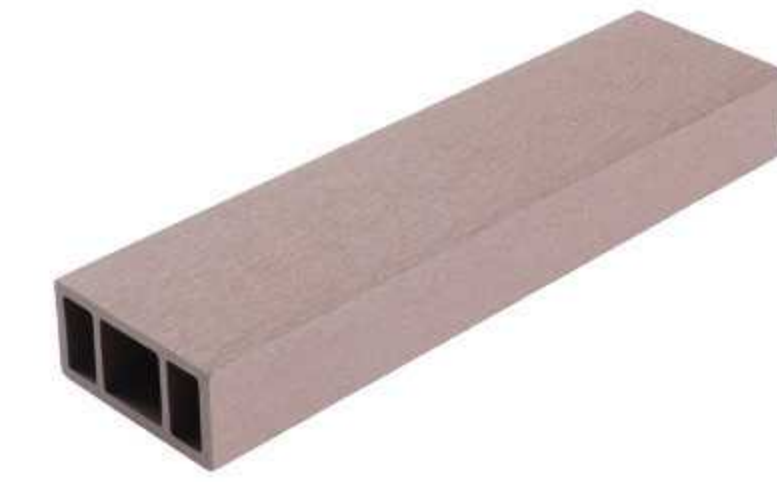
W 50mm
H 30mm

CSP5050A



W 50mm
H 50mm

CSP4080A



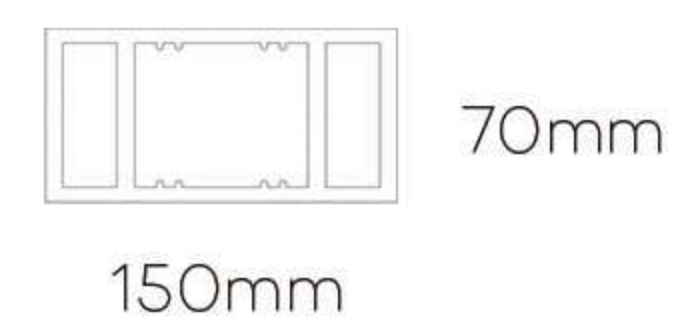
W 80mm
H 40mm

CSP50100A

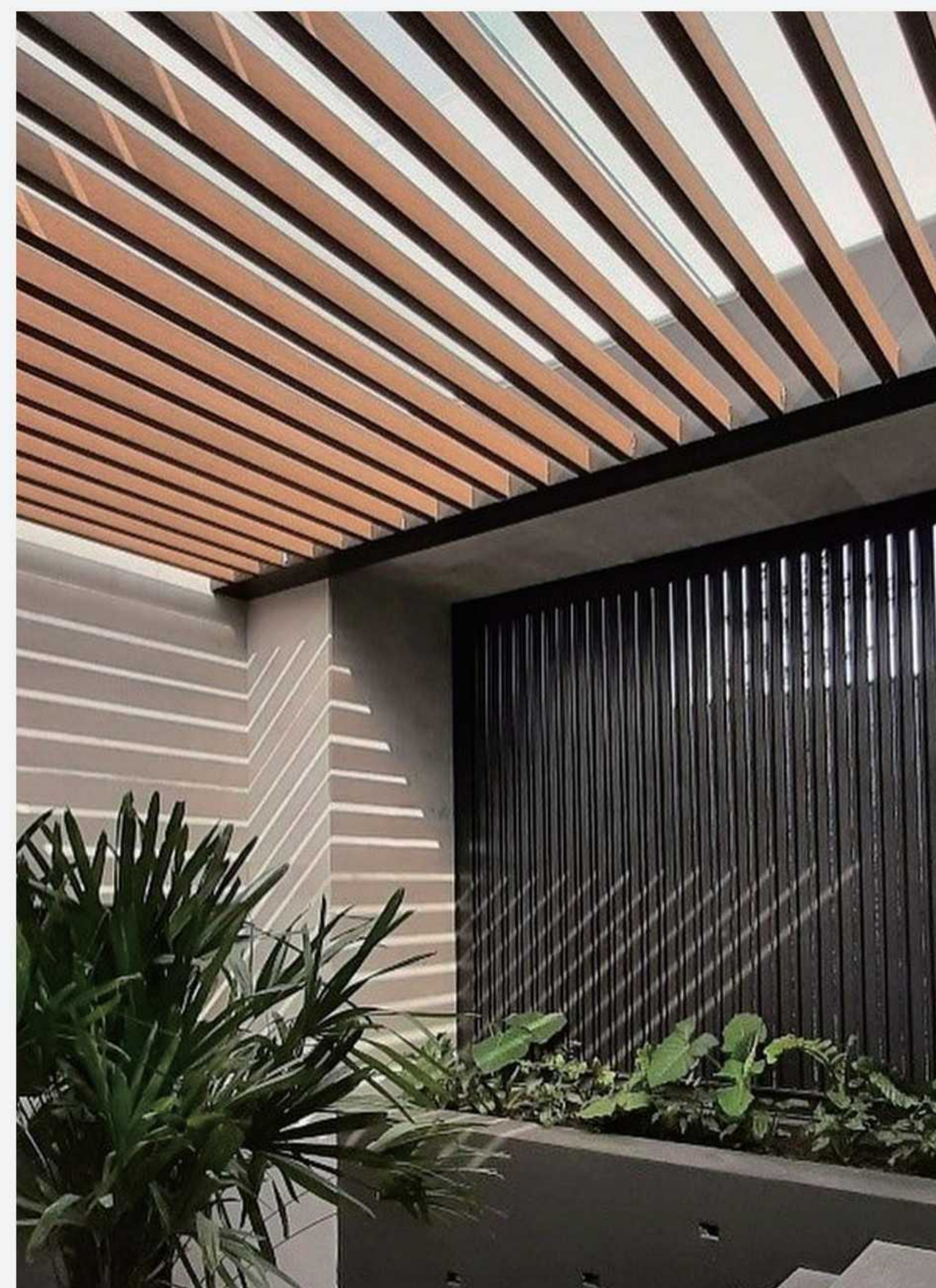


W 100mm
H 50mm

CSP70150A

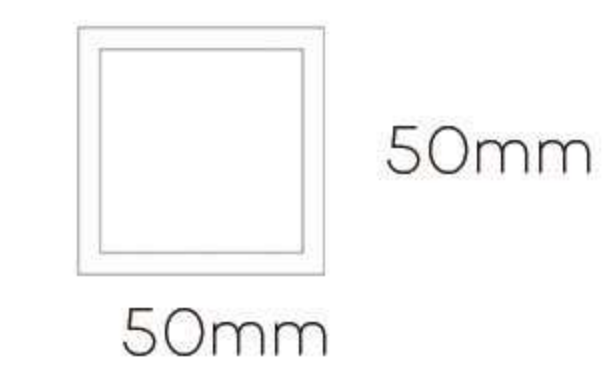


W 150mm
H 70mm



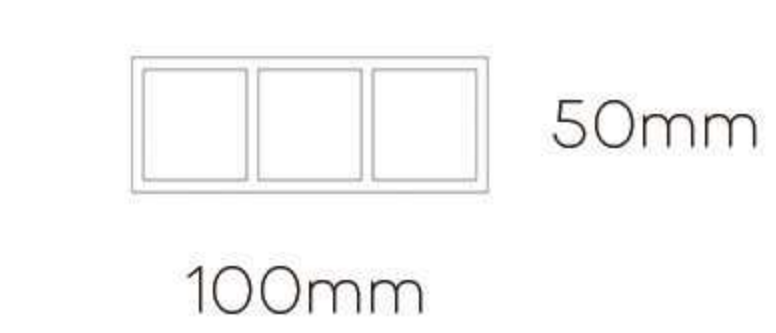
Co-extrusion Timber Tube

CSP5050B

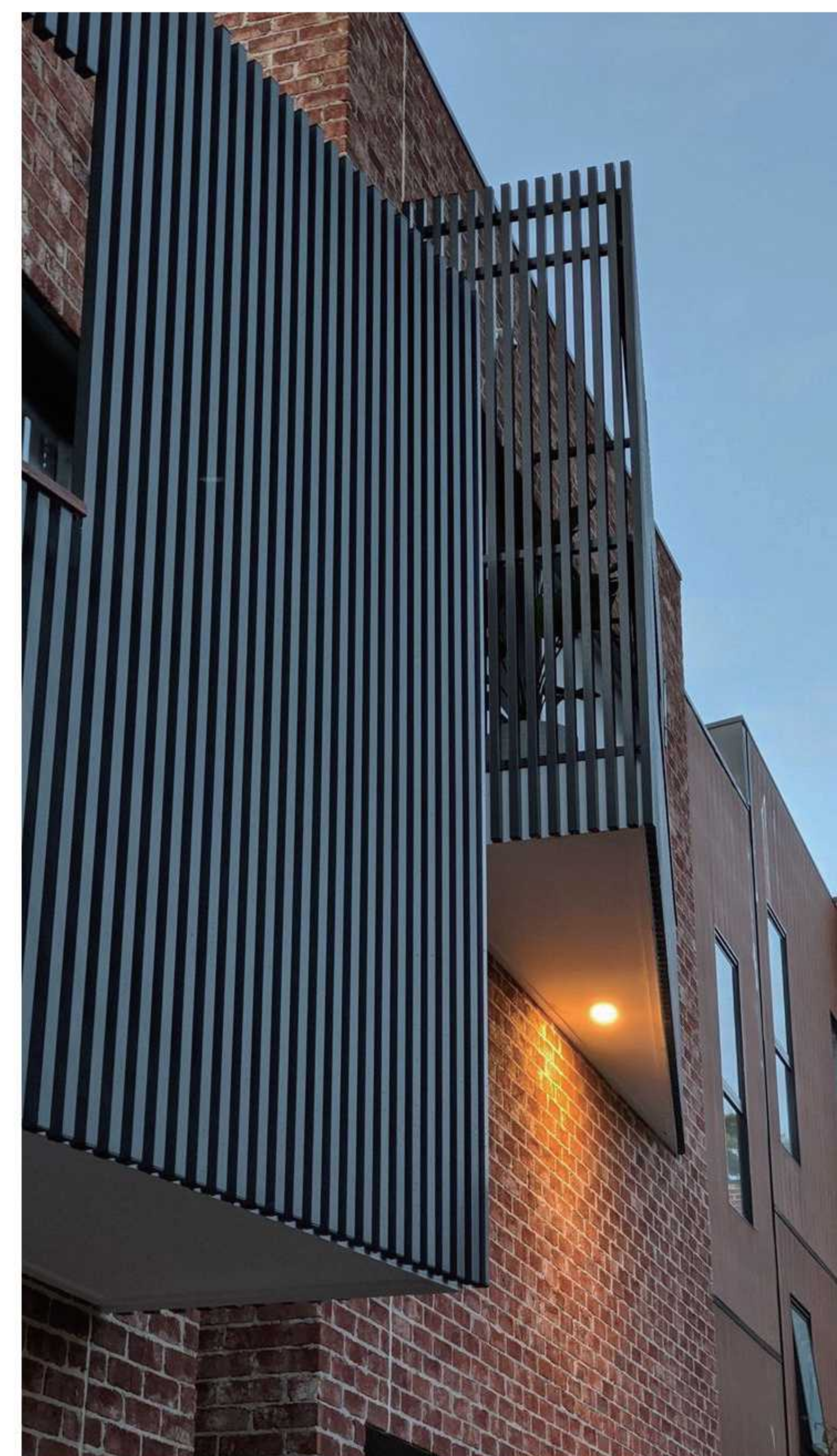


W 50mm
H 50mm

CSP50100B



W 100mm
H 50mm



F SERIES

WPC Classic Fence

CSF20520



W 205mm
H 20mm
L 2900mm



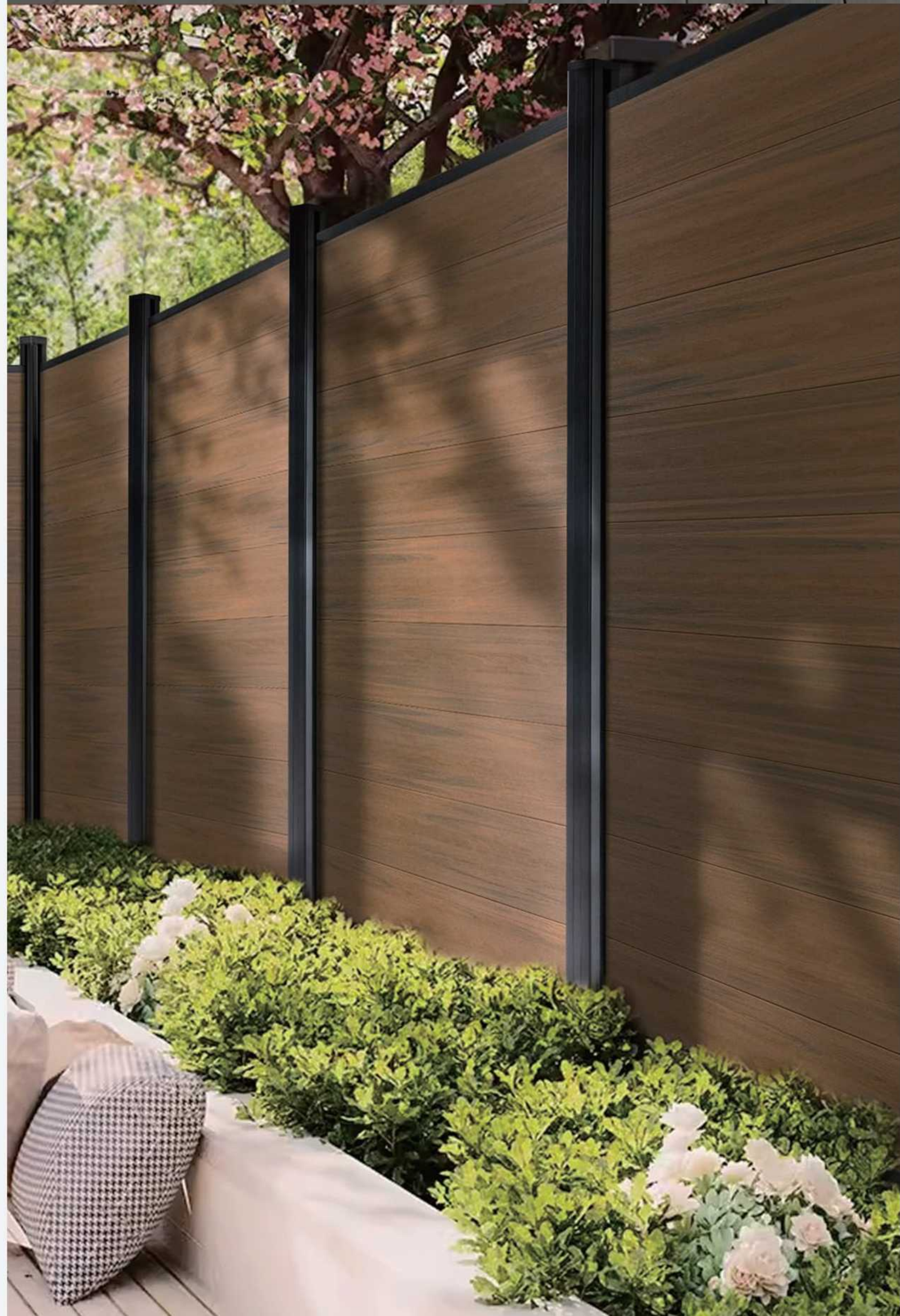
Brown



Traffic grey

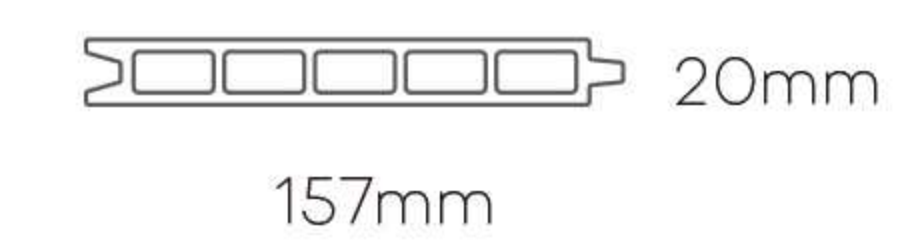


Original wood



WPC Co-extrusion Fence

CSF15720



W 157mm
H 20mm
L 2900mm



Maple



Antique wood



Teak



Rosawood



Light gray

ASA Fence

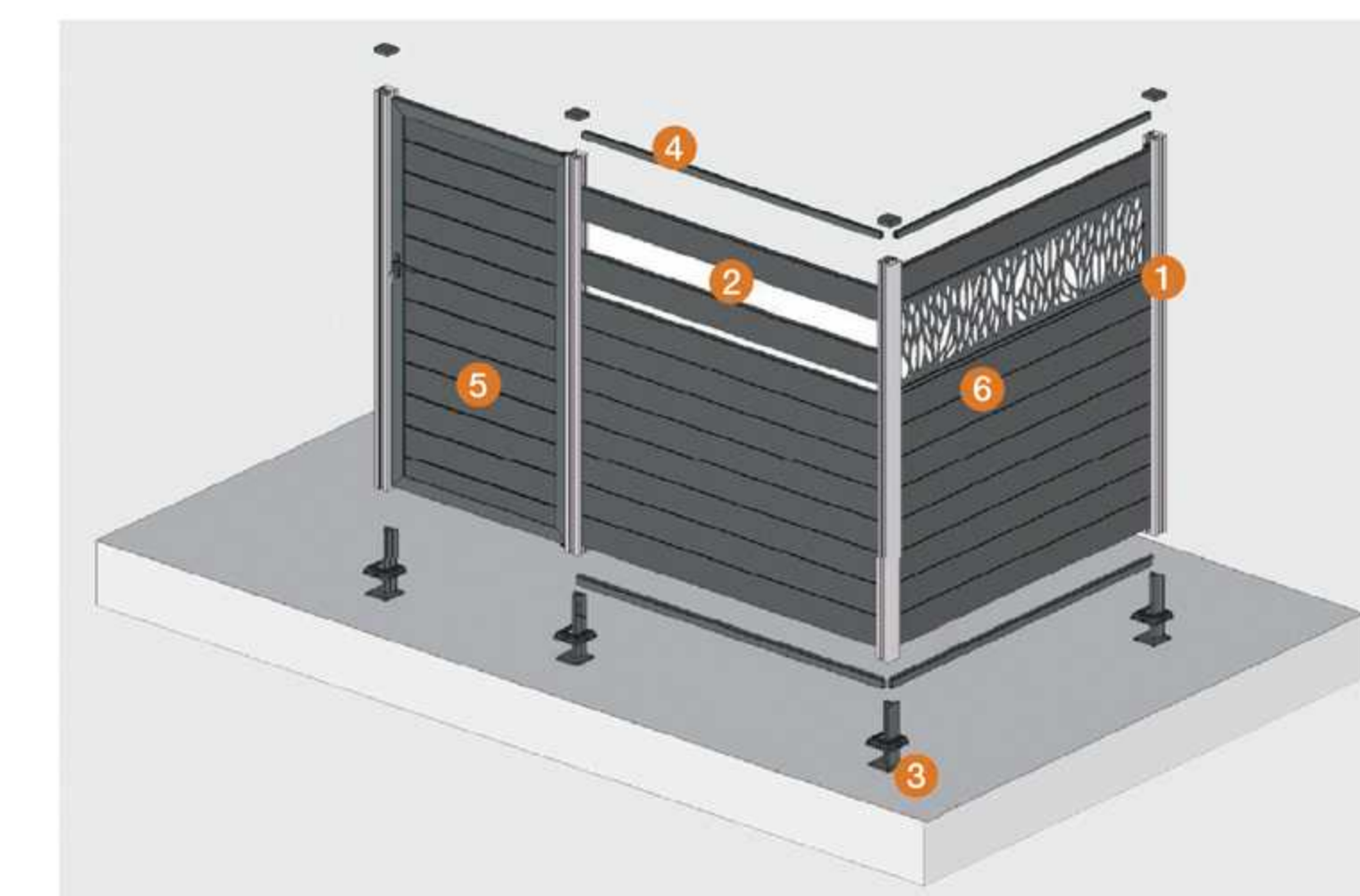
ASA15016



W 157mm
H 20mm
L 2900mm



Accessories



1

Posts



2

WPC fence panels



3

Embedded iron



4

Top/bottom
edge banding



5

WPC doors



6

Grille

AesthEdge



+8618953955575



angela@aesthedge.com



www.aesthedge.com



Rm1103, A10Building, Lushang Center, Guangzhou Road,
Lanshan District, Linyi City, Shandong Province, China